

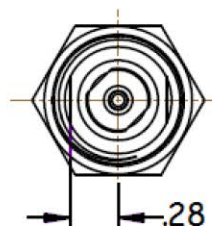
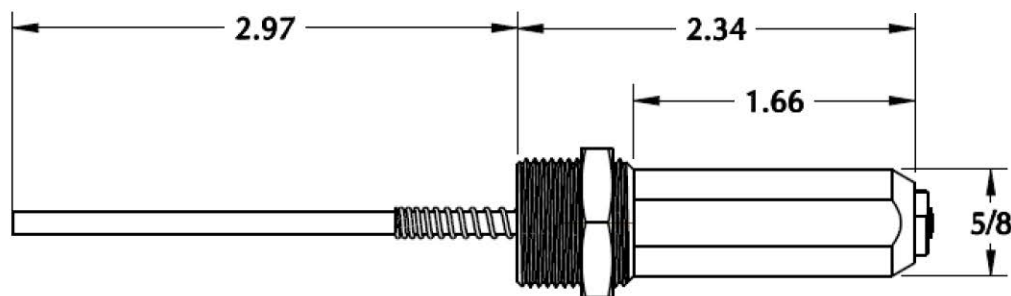
H747-3A

Pulling Head for 3 diameter A Code CherryLock™

INSTRUCTION SHEET, Page 1 of 2

DIMENSIONAL DATA (SEE BELOW)

- Weight: 0.15 Lbs



CHOICE OF RIVETERS

- Use with the following Cherry Riveters:
G747: compact, light weight,
2200 Lbs force; 7/16" stroke,
G704B: 3100 Lbs force; 1/2" stroke
G746A: 1850 Lbs force; 7/8" stroke

MOUNTING INSTRUCTIONS (see Fig. 1)

- Attach Riveter to air source; place the spring into the riveter piston
- Thread and tighten the collet assembly onto the riveter piston
- Thread in the sleeve assy and lock it in by tightening the Jam Nut.

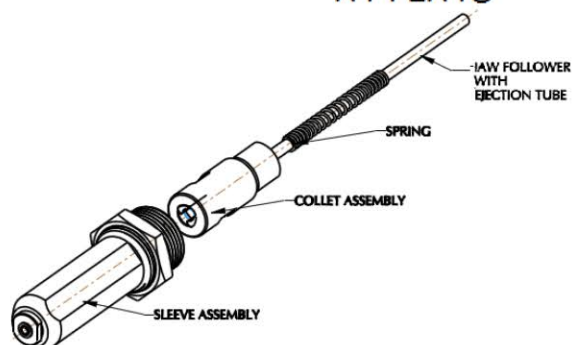


Fig. 1. Mounting

JAW ADJUSTMENT

The jaws can be adjusted to hold onto the stem in position at all times or to fully release it before and after fastener installation

- Push the fastener all the way through the nose piece.
- *To grab onto the stem:* Unthread the sleeve while moving the fastener in and out until you feel the desired jaw hold.
- *To release the stem:* Thread the sleeve in until the stem is released
- After adjustment, lock in position by tightening the Jam Nut.

OPERATING INSTRUCTIONS

Before operating the tool, make sure that:

- Pulling Head is correctly mounted on the proper riveter
- Proper Air source is connected (see Riveter manual for air pressure).
- Make sure the tool is in proper working condition.

During Operation:

- Inspect the active area of the nosepiece regularly.
- Keep the tool clean, especially the nosepiece and jaws; pay special attention when sealants and adhesives are used.
- If stem slippage occurs, clean or replace the jaws.

USATCO U.S. Air Tool Company, Inc.

Info@usatco.com

Eastern Division60 Fleetwood Ct., Ronkonkoma, NY 11779-6907 tel: (631) 471-3300 fax: (631) 471-3308

Western Division1219 W. Mahalo Place, Rancho Dominguez, CA 90220-5446 tel: (310) 632-5400 fax: (310) 632-3900

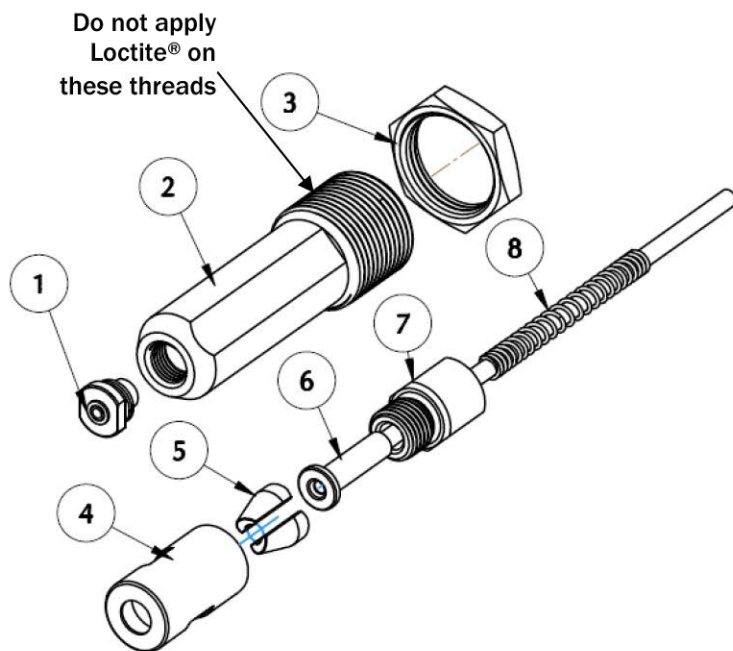
H747-3A

Pulling Head for 3 diameter A Code CherryLock™

INSTRUCTION SHEET, Page 2 of 2

PARTS LIST

ITEM No	PART NUMBER	DESCRIPTION	QTY.
1	886-003	Nosepiece	1
2	800-033	Sleeve	1
3	671A16	Jam Nut	1
4	753A13A	Collet	1
5	701B18	Jaw Set (see table 1)	1
6	955-011	Jaw Follower	1
7	800-032	Drawbar	1
8	P-1483	Compression Spring	1



PREVENTATIVE MAINTENANCE

- Clean and inspect the nosepiece, jaws, collet & spring every 1000 installations or whenever a failure occurs; replace spring and jaws if worn.
- Lubricate outside configuration of the jaws with Lubriplate® or similar light grease.
- Inspect regularly and keep active area clean and in good working condition.
- Replace worn or broken components.
- Use Loctite® 242 (removable) on all threaded components except as shown.

LOCTITE® is a registered trademark of Henkel Corporation.

LUBRIPLATE® is a registered trademark of Fiske Brothers Refining Co.

WARRANTY

Seller warrants the goods conform to applicable specifications and drawings and will be manufactured and inspected according to generally accepted practices of companies manufacturing industrial or aerospace fasteners. In the event of any breach of the foregoing warranty, Buyer's sole remedy shall be to return defective goods (after receiving authorization from Seller) for replacement or refund of the purchase price, at the Seller's option. Seller agrees to any freight costs in connection with the return of any defective goods, but any costs relating to removal of the defective or nonconforming goods or installation of replacement goods shall be Buyer's responsibility. SELLER'S WARRANTY DOES NOT APPLY WHEN ANY PHYSICAL OR CHEMICAL CHANGE IN THE FORM OF THE PRODUCT IS MADE BY BUYER. THE FOREGOING EXPRESS WARRANTY AND REMEDY ARE EXCLUSIVE AND ARE IN LIEU OF ALL OTHER WARRANTIES AND REMEDIES; ANY IMPLIED WARRANTY AS TO QUALITY, FITNESS FOR PURPOSE, OR MERCHANTABILITY IS HEREBY SPECIFICALLY DISCLAIMED AND EXCLUDED BY SELLER. This warranty is void if seller is not notified in writing of any rejection of the goods within ninety (90) days after receipt of the goods by buyer.

Seller shall not be liable under any circumstances for incidental, special or consequential damages arising in whole or in part from any breach by Seller, AND SUCH INCIDENTAL, SPECIAL, OR CONSEQUENTIAL DAMAGES ARE HEREBY EXPRESSLY EXCLUDED.

Our policy is one of continuous development. Specifications shown in this document may be subject to changes introduced after publication.

NOTE: The properties, strength, dimensions, installed characteristics and all other information in these materials are for guidance only to aid in the correct selection of the products described herein and is not intended or implied as part of the above warranty. All applications should be evaluated for functional stability and available samples of the described parts can be requested for installed tests, suitability and evaluations.

For more information please contact our Technical Services Department at tel. 714-850-6022

USATCO U.S. Air Tool Company, Inc.

Info@usatco.com

Eastern Division60 Fleetwood Ct., Ronkonkoma, NY 11779-6907 tel: (631) 471-3300 fax: (631) 471-3308

Western Division1219 W. Mahalo Place, Rancho Dominguez, CA 90220-5446 tel: (310) 632-5400 fax: (310) 632-3900