

H84B-568

MAXIBOLT® Plus PULLING HEAD

INSTRUCTION SHEET



CHERRY[®]
AEROSPACE

DIMENSIONAL DATA (all measurements in Inches, see figure 1)

Weight: 0.3 Lbs (0.14 kg)

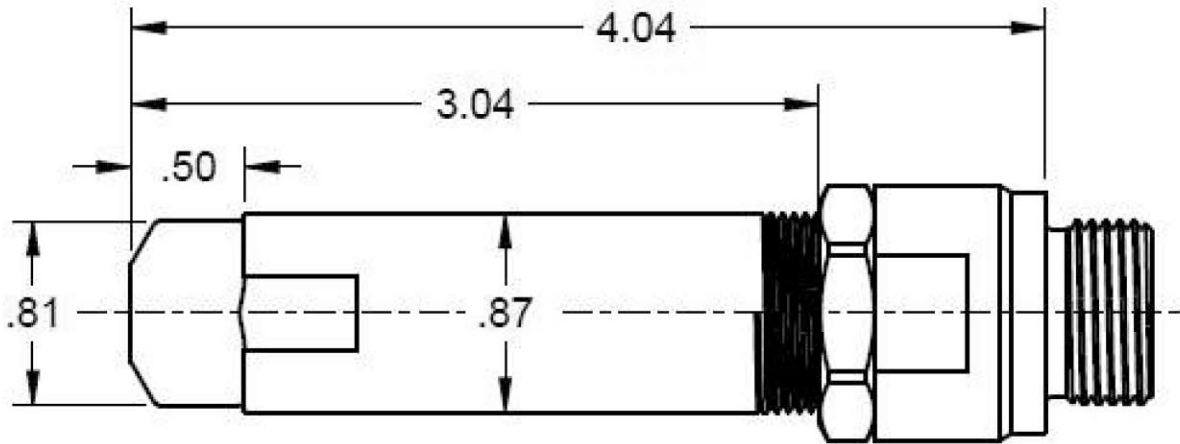


Figure 1

CHOICE OF RIVETERS

- **G84** Power Riveter (no adapter necessary)
- **G84-LS** Split Power Riveter (with adaptor 744-700)

MOUNTING INSTRUCTIONS (ON G83/G84 riveters)

1. Remove the Bayonet Adapter (700-211) from the Riveter and replace with Adapter item 10
2. Assemble Collet with all internal components onto the Riveter Piston
3. Thread the Sleeve (Item 1) onto the adapter. (Item 10) and tighten with the Jam Nut (item9); use Loctite 242 on all threads (except Riveter Piston) to secure the threaded component.

USAGE

- This tool is designed to install 5, 6 and 8 diameter Maxibolt® Plus blind bolts.

BEFORE USE, MAKE SURE THAT:

- The correct pulling head and nose piece are used and that they are properly mounted on the recommended riveter.
- Proper air source is connected (see riveter specification for recommended pressure).
- Make sure that the tool is clean and in good working condition

DURING OPERATION

- Inspect the active area of the nose piece regularly.
- Keep the nose piece and jaws clean especially when sealants are used.
- If stem slippage occurs, the jaws need to be either cleaned or replaced.

USATCO U.S. Air Tool Company, Inc.

Info@usatco.com

Eastern Division60 Fleetwood Ct., Ronkonkoma, NY 11779-6907 tel: (631) 471-3300 fax: (631) 471-3308

Western Division1219 W. Mahalo Place, Rancho Dominguez, CA 90220-5446 tel: (310) 632-5400 fax: (310) 632-3900

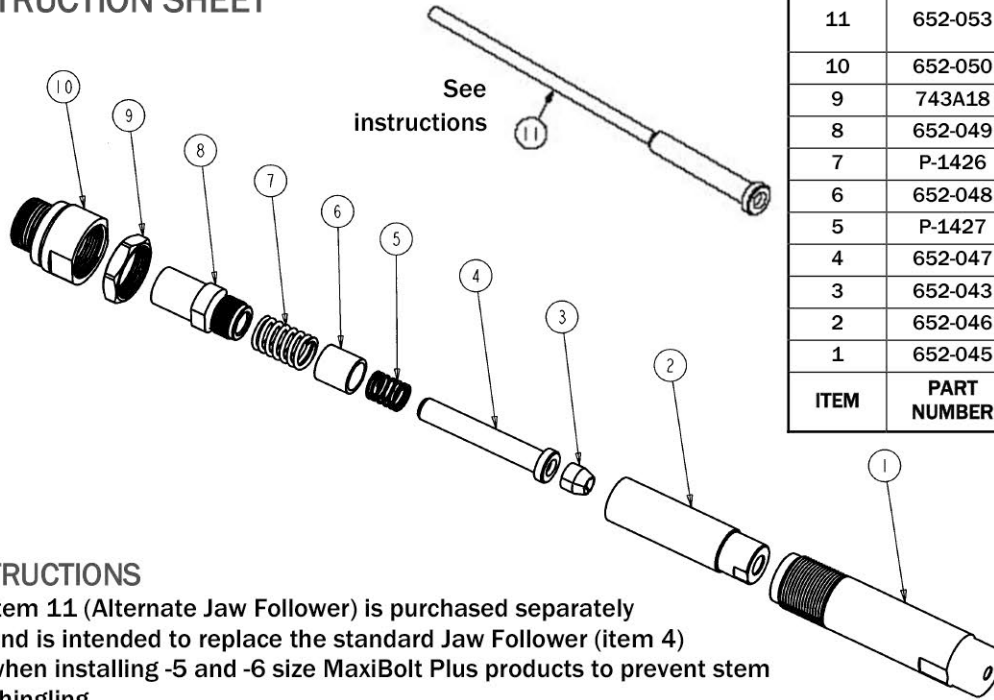
H84B-568

MAXIBOLT® Plus PULLING HEAD

INSTRUCTION SHEET



CHERRY®
AEROSPACE



11	652-053	Alternate Jaw Follower (see Instructions)	1
10	652-050	Adapter, Sleeve	1
9	743A18	Jam Nut	1
8	652-049	Adapter, Drawbar	1
7	P-1426	Spring, Heavy	1
6	652-048	Retainer, Spring	1
5	P-1427	Compression Spring	1
4	652-047	Jaw Follower	1
3	652-043	Jaws (Set of 3)	1
2	652-046	Collet	1
1	652-045	Outside Sleeve	1
ITEM	PART NUMBER	DESCRIPTION	QTY. PER ASSY.

INSTRUCTIONS

- Item 11 (Alternate Jaw Follower) is purchased separately and is intended to replace the standard Jaw Follower (item 4) when installing -5 and -6 size MaxiBolt Plus products to prevent stem shingling.
Caution: This component will not accept -8 diameter MaxiBolts.
- Make certain the pulling head is kept clean, especially around the riveting end, as adhesives, chips, sealants, etc., will clog up the serrations of the jaws and may cause slippage of the stem.
- In case of damage to the pulling head, dismantle and replace with parts selected from the list above.

PREVENTATIVE MAINTENANCE

Clean the collet and jaws every 1,000 installations. Lubricate the conical surface of the jaws before reassembly. Check the internal components (especially springs) for wear; replace when necessary.

GENERAL QUESTIONS

1224 E. Warner Avenue
Santa Ana, CA 92705 USA
1-714-545-5511 (Phone)
1-714-850-6093 (Fax)

WARRANTY

Seller warrants the goods conform to applicable specifications and drawings and will be manufactured and inspected according to generally accepted practices of companies manufacturing industrial or aerospace fasteners. In the event of any breach of the foregoing warranty, Buyer's sole remedy shall be to return defective goods (after receiving authorization from Seller) for replacement or refund of the purchase price, at the Seller's option. Seller agrees to any freight costs in connection with the return of any defective goods, but any costs relating to removal of the defective or nonconforming goods or installation of replacement goods shall be Buyer's responsibility. SELLER'S WARRANTY DOES NOT APPLY WHEN ANY PHYSICAL OR CHEMICAL CHANGE IN THE FORM OF THE PRODUCT IS MADE BY BUYER. THE FOREGOING EXPRESS WARRANTY AND REMEDY ARE EXCLUSIVE AND ARE IN LIEU OF ALL OTHER WARRANTIES AND REMEDIES; ANY IMPLIED WARRANTY AS TO QUALITY, FITNESS FOR PURPOSE, OR MERCHANTABILITY IS HEREBY SPECIFICALLY DISCLAIMED AND EXCLUDED BY SELLER. This warranty is void if seller is not notified in writing of any rejection of the goods within ninety (90) days after receipt of the goods by buyer.

Seller shall not be liable under any circumstances for incidental, special or consequential damages arising in whole or in part from any breach by Seller, AND SUCH INCIDENTAL, SPECIAL, OR CONSEQUENTIAL DAMAGES ARE HEREBY EXPRESSLY EXCLUDED.

Our policy is one of continuous development. Specifications shown in this document may be subject to changes introduced after publication.

NOTE: The properties, strength, dimensions, installed characteristics and all other information in these materials are for guidance only to aid in the correct selection of the products described herein and is not intended or implied as part of the above warranty. All applications should be evaluated for functional stability and available samples of the described parts can be requested for installed tests, suitability and evaluations.

For more information please contact our Technical Services Department at tel. 714-850-6154

USATCO U.S. Air Tool Company, Inc.

Info@usatco.com

Eastern Division60 Fleetwood Ct., Ronkonkoma, NY 11779-6907 tel: (631) 471-3300 fax: (631) 471-3308

Western Division1219 W. Mahalo Place, Rancho Dominguez, CA 90220-5446 tel: (310) 632-5400 fax: (310) 632-3900