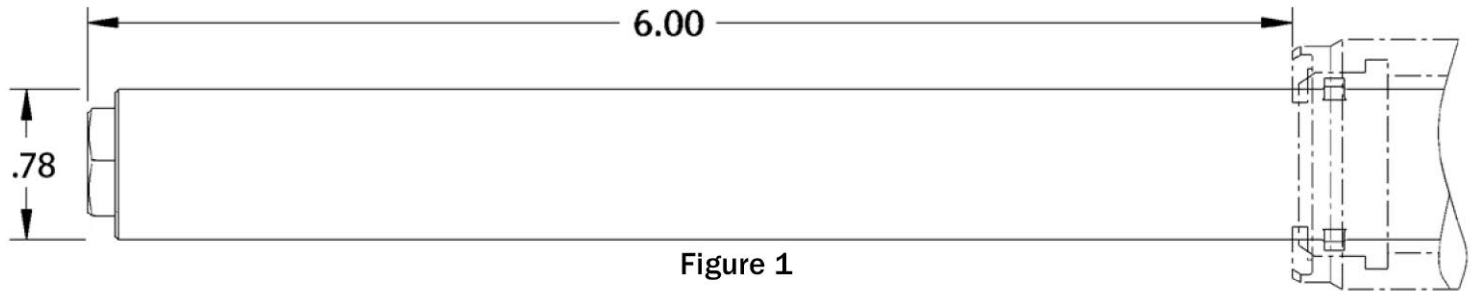


H84A6E-8MB

EXTENDED PULLING HEAD FOR 8 DIAMETER BLINDBOLTS™ (MAXIBOLTS®)

Technical Data Sheet, Page 1 of 2



DIMENSIONAL DATA (all measurements in Inches, see figure 1)

Pulling Head Weight: 4.2 Lbs (1.9 kg)

CHOICE OF RIVETERS

- The H84CE6-8MB is to be used with:
 - **G84** Power Riveter
 - **G84-LS** Split Power Riveter (with adaptor 744-700)

MOUNTING INSTRUCTIONS

- Attach riveter to air source for correct piston positioning.
- Thread Collet Assembly securely onto the riveter head piston.
- Depress the trigger and attach the sleeve assembly onto the bayonet mount.

USAGE

- This tool is designed to install 8 Dia Maxibolts® (Blind Bolts™) where a 6" inches extension is needed **BEFORE USE, MAKE SURE THAT:**
 - The correct pulling head and nose piece are used and that they are properly mounted on the recommended riveter.
 - Proper Air source is connected (see Riveter specification for recommended pressure).
 - Make sure that the tool is clean and in good working condition

DURING OPERATION

- Inspect the active area of the nose piece regularly.
- Keep the tool clean, especially the nose piece and jaws; pay special attention when sealants are used.
- If stem slippage occurs, the jaws need to be either cleaned or replaced.

PREVENTATIVE MAINTENANCE

- Clean the nose piece, jaw set and collet every 1,000 installations, or when failures occurs.
- Lubricate outside configuration of the jaw set with Lubriplate® or similar light lubricant.
- Inspect regularly and keep the active area clean and in good working condition.
- Replace worn or broken components.

USATCO U.S. Air Tool Company, Inc.

Info@usatco.com

Eastern Division60 Fleetwood Ct., Ronkonkoma, NY 11779-6907 tel: (631) 471-3300 fax: (631) 471-3308
Western Division1219 W. Mahalo Place, Rancho Dominguez, CA 90220-5446 tel: (310) 632-5400 fax: (310) 632-3900

H84A6E-8MB

EXTENDED PULLING HEAD FOR 8 DIAMETER BLINDBOLTS™ (MAXIBOLTS®)

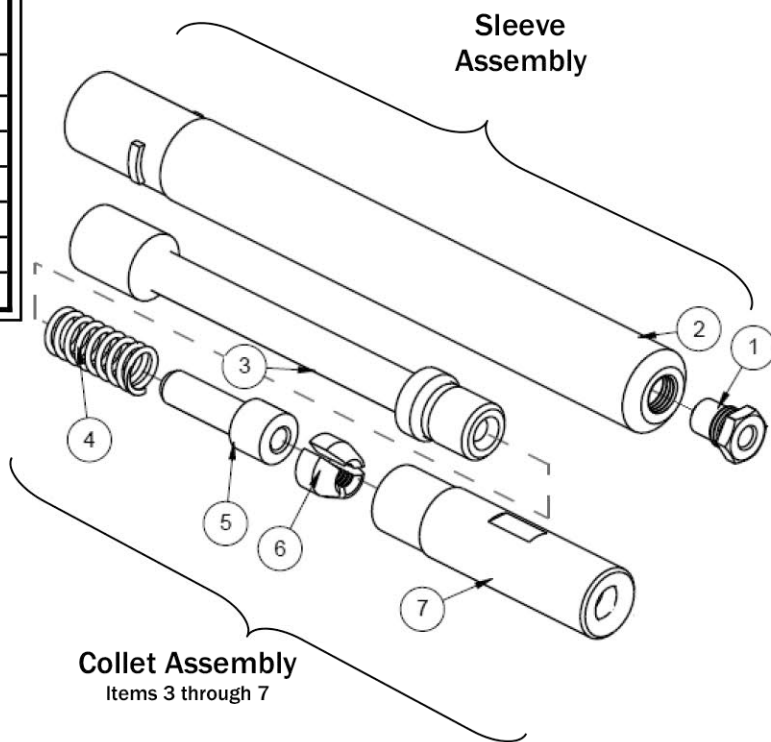
Technical Data Sheet, Page 2 of 2

PARTS LIST

ITEM NUMBER	PART NUMBER	DESCRIPTION	QTY. PER ASSY.
1	652-035	NOSEPIECE (SEE NOTES)	1
2	975-048	6" EXTENDED SLEEVE	1
3	652-111	6" COLLET EXTENSION	1
4	P-1425	COMPRESSION SPRING	1
5	652-031	JAW FOLLOWER	1
6	865C25	JAW SET (3 JAWS)	1
7	652-030	COLLET	1

NOTES:

* USE 652-179 FOR U-TYPE FASTENERS



GENERAL / TECHNICAL QUESTIONS

1224 E. Warner Avenue
 Santa Ana, CA 92705 USA
 1-714-545-5511 (ASK FOR THE TECHNICAL SALES)
 1-714-850-6093 (Fax)



CHERRY®
AEROSPACE
 SPS Fastener Division, a PCC Company

LOCTITE® is a registered trademark of Henkel Corporation.
LUBRIPLATE® is a registered trademark of Fiske Brothers Refining Co.

WARRANTY

Seller warrants the goods conform to applicable specifications and drawings and will be manufactured and inspected according to generally accepted practices of companies manufacturing industrial or aerospace fasteners. In the event of any breach of the foregoing warranty, Buyer's sole remedy shall be to return defective goods (after receiving authorization from Seller) for replacement or refund of the purchase price, at the Seller's option. Seller agrees to any freight costs in connection with the return of any defective goods, but any costs relating to removal of the defective or nonconforming goods or installation of replacement goods shall be Buyer's responsibility. SELLER'S WARRANTY DOES NOT APPLY WHEN ANY PHYSICAL OR CHEMICAL CHANGE IN THE FORM OF THE PRODUCT IS MADE BY BUYER. THE FOREGOING EXPRESS WARRANTY AND REMEDY ARE EXCLUSIVE AND ARE IN LIEU OF ALL OTHER WARRANTIES AND REMEDIES; ANY IMPLIED WARRANTY AS TO QUALITY, FITNESS FOR PURPOSE, OR MERCHANTABILITY IS HEREBY SPECIFICALLY DISCLAIMED AND EXCLUDED BY SELLER. This warranty is void if seller is not notified in writing of any rejection of the goods within ninety (90) days after receipt of the goods by buyer.

Seller shall not be liable under any circumstances for incidental, special or consequential damages arising in whole or in part from any breach by Seller, AND SUCH INCIDENTAL, SPECIAL, OR CONSEQUENTIAL DAMAGES ARE HEREBY EXPRESSLY EXCLUDED.

Our policy is one of continuous development. Specifications shown in this document may be subject to changes introduced after publication.

NOTE: The properties, strength, dimensions, installed characteristics and all other information in these materials are for guidance only to aid in the correct selection of the products described herein and is not intended or implied as part of the above warranty. All applications should be evaluated for functional stability and available samples of the described parts can be requested for installed tests, suitability and evaluations.

USATCO U.S. Air Tool Company, Inc.

Info@usatco.com

Eastern Division60 Fleetwood Ct., Ronkonkoma, NY 11779-6907 tel: (631) 471-3300 fax: (631) 471-3308

Western Division1219 W. Mahalo Place, Rancho Dominguez, CA 90220-5446 tel: (310) 632-5400 fax: (310) 632-3900