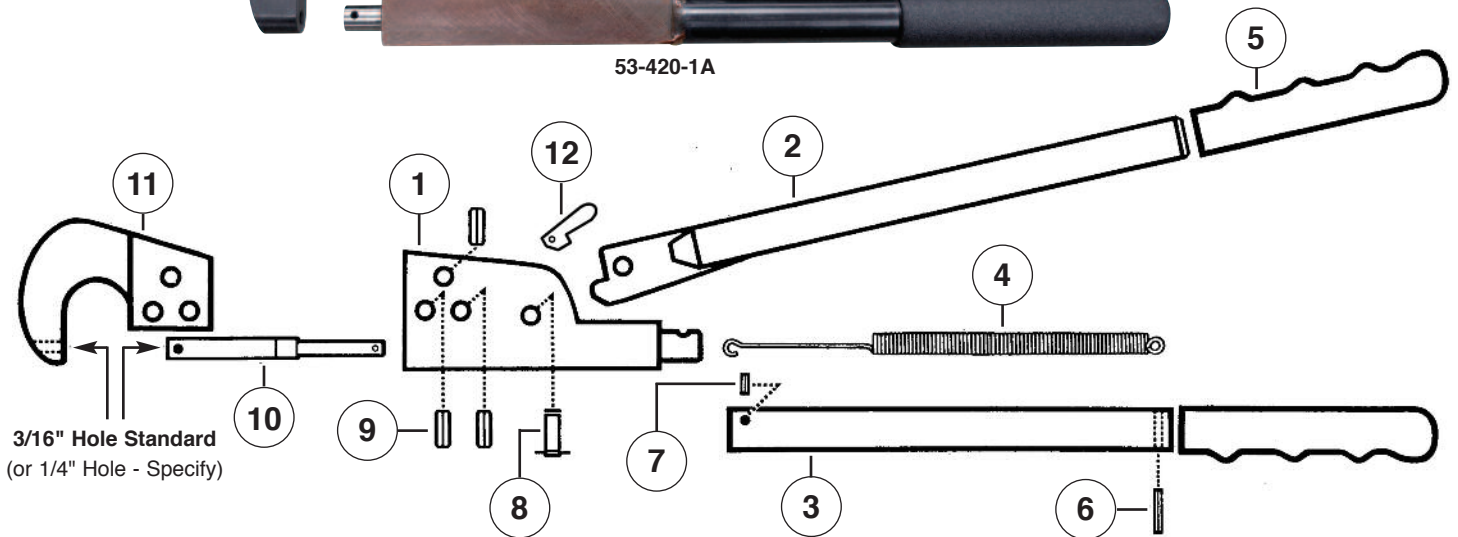




53-420 Hand Rivet Squeezers Parts List



53-420-1A



3/16" Hole Standard
(or 1/4" Hole - Specify)

Index	Part No.	Description	Qty.
1	38-4201	Frame	1
2	38-4202	Moveable Handle	1
3	38-4203	Stationary Handle	1
4	38-4204	Spring	1
5	38-4205	Grip	2
6	38-4206	Roll Pin (A)	1
7	38-4207	Roll Pin (B)	1
8	38-4208	Groove Pin With 2 Retainers	1
9	38-4209	Roll Pin (C)	3
10	38-42010	**Ram - Set Holder (adjustable)	1
11	38-42011	Yoke - 1" Reach (incl. with 53-420-1A, 53-420-12A, 53-420-13A & 53-420-123A)	1
*	38-42011-2	Yoke - 2" Reach (incl. with 53-420-2A, 53-420-12A, 53-420-23A & 53-420-123A)	1
*	38-42011-3	Yoke - 3" Reach (incl. with 53-420-3A, 53-420-13A, 53-420-23A & 53-420-123A)	1
*	38-42010NA	Ram - Set Holder (non-adjustable) - Optional	1
12	38-42013	Handle Lock	1

*Not Illustrated

Prices for Parts and Complete Units on Request

Toll Free Nationwide & Canada: **800-645-8180**

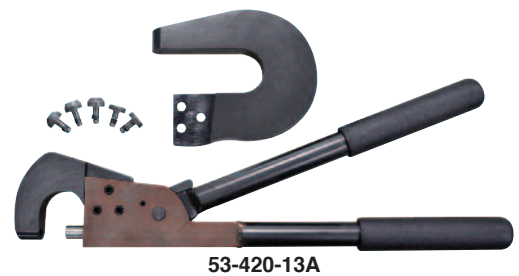
USATCO\U.S. AIR TOOL COMPANY, INC. www.USATCO.com NEW YORK • CALIFORNIA

Rev1116

Also Available from USATCO

USATCO Hand Rivet Squeezers

Part Number	Yokes Included	Sets Included	Aluminum Capacity
53-420-1A	1"	3 Universal AN470 (3/32", 1/8" & 5/32") & 2 Flush Sets	Squeezing: 1/16" - 5/32" Dimpling: 1/16" - 3/16" In Material To .040"
53-420-2A	2"		
53-420-3A	3"		
53-420-12A	1" & 2"		
53-420-13A	1" & 3"		
53-420-23A	2" & 3"		
53-420-123A	1", 2" & 3"		



53-420-13A

Rivet Squeezer Set Kits

Part Number	Description
53-26	31 PC Assortment Kit includes assorted cupped & flush sets, soft blanks, spacer shims & metal case.
53-26F	31 PC Flush Kit includes assorted hard & soft flush sets (3/8" & 1/2" dia.), spacer shims & metal case.
53-3456	9 PC Dimple & Die Kit includes 3/32", 1/8", 5/32" & 3/16" sets (1/4" L) & plastic case.



Flush Sets

Body Length	.187" Shank	
	Part No. 3/8" Dia.	Part No. 1/2" Dia.
1/8"	26-110	26-210
3/16"	26-110A	26-210A
1/4"	26-111	26-211
3/8"	26-112	26-212
1/2"	26-113	26-213
5/8"	26-114	26-214
3/4"	26-115	26-215
7/8"	26-116	26-216
1"	26-117	26-217



Adapto® Hand Flaring Kit

Part Number	Description
53-100-1	11 PC Kit includes flaring & oval tools for 1/16" to 3/32", 1/8" to 5/32" & 3/16" rivets with plastic case.
08-100	Flaring Tool Only



USATCO\U.S. Air Tool Company, Inc.

Eastern Division60 Fleetwood Ct., Ronkonkoma, NY 11779-6907 tel: (631) 471-3300 fax: (631) 471-3308
 Western Division1219 W. Mahalo Place, Rancho Dominguez, CA 90220-5446 tel: (310) 632-5400 fax: (310) 632-3900