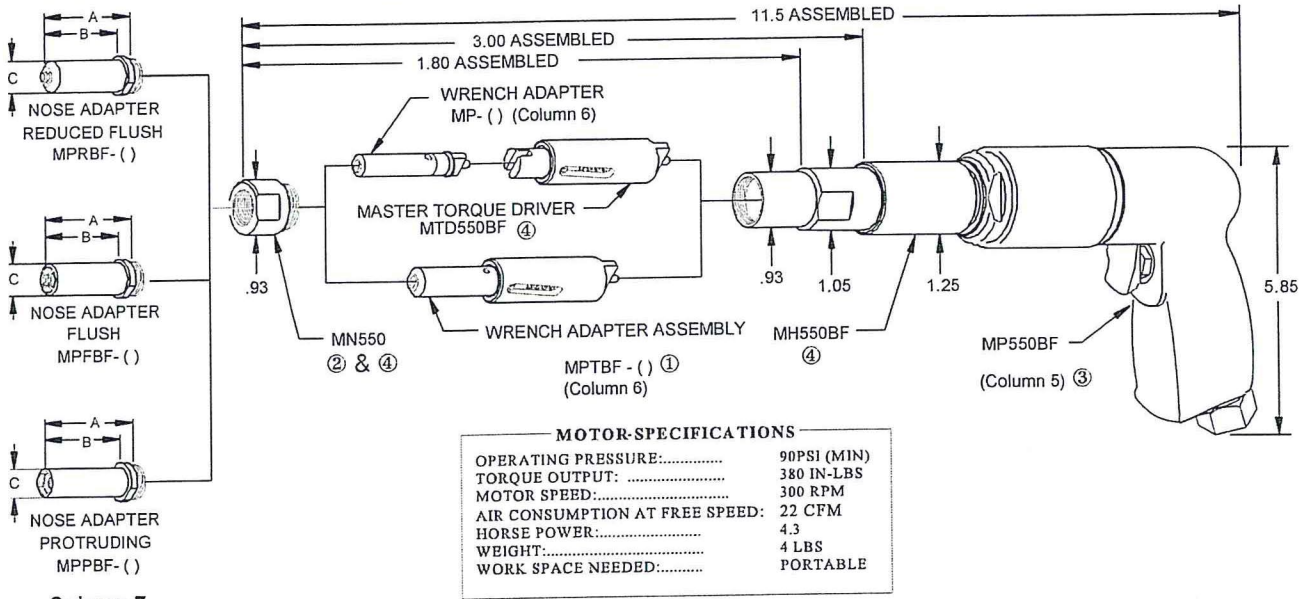




COMPOSI-LOK® BLIND BOLT INSTALLATION

MP550BF Pneumatic Pistol



Column 7

1	2	3	4	5	6	7	8	9	10
BASIC DIA.	TYPICAL PART NUMBER	FASTENER HEAD STYLE	COMPLETE PNEUMATIC ASSEMBLY	PNEUMATIC MOTOR ASSEMBLY	WRENCH ADAPTER	NOSE ADAPTER	A (REF)	B (REF)	C (REF)
5/32 (-5)	MBF2010-05-()	REDUCED PROT. HD	MP550BFR-5AA	MP550BF ③	MPBF-05	MPRBF-05	1.76	1.64	.56
	MBF2011-05-()	HEX	MP550BFP-5AA			MPPBF-05	1.81	1.67	
	MBF2012-05-()	100° FLUSH	MP550BFF-5AA			MPFBF-05	1.76	1.64	
	MBF2013-05-()	130° FLUSH	MP550BFR-5AA			MPRBF-05	1.76	1.64	
3/16 (-6)	MBF2010-06-()	REDUCED PROT. HD	MP550BFR-6AA		MPBF-06	MPPBF-06	1.81	1.67	.56
	MBF2011-06-()	HEX	MP550BFP-6AA			MPFBF-05	1.76	1.64	
	MBF2012-06-()	100° FLUSH	MP550BFF-6AA			MPRBF-06	1.76	1.64	
	MBF2013-06-()	130° FLUSH	MP550BFR-6AA			MPPBF-06	1.81	1.67	
7/32 (-7)	MBF2010-07-()	REDUCED PROT. HD	MP550BFR-7AA		MPBF-07	MPPBF-07	1.81	1.67	.56
	MBF2011-07-()	HEX	MP550BFP-7AA			MPFBF-07	1.76	1.64	
	MBF2012-07-()	100° FLUSH	MP550BFF-7AA			MPRBF-07	1.76	1.64	
	MBF2013-07-()	130° FLUSH	MP550BFR-7AA			MPPBF-07	1.81	1.67	
1/4 (-8)	MBF2010-08-()	REDUCED PROT. HD	MP550BFR-8AA		MPBF-08	MPPBF-08	1.81	1.67	.56
	MBF2011-08-()	HEX	MP550BFP-8AA			MPFBF-08	1.76	1.64	
	MBF2012-08-()	100° FLUSH	MP550BFF-8AA			MPRBF-08	1.76	1.64	
	MBF2013-08-()	130° FLUSH	MP550BFR-8AA			MPPBF-08	1.81	1.67	
9/32 (-9)	MBF2010-09-()	REDUCED PROT. HD	MP550BFR-9AA		MPTBF-10 ④	MPTRBF-09	1.48	1.32	.75
	MBF2011-09-()	HEX	MP550BFP-9AA			MPTPFBF-09			
	MBF2012-09-()	100° FLUSH	MP550BFF-9AA			MPTRBF-09			
	MBF2013-09-()	130° FLUSH	MP550BFR-9AA			MPTRBF-10			
5/16 (-10)	MBF2010-10-()	REDUCE D PROT. HD	MP550BFR-10AA	MPTBF-12 ④		MPTRBF-10	1.48	1.32	.75
	MBF2011-10-()	HEX	MP550BFP-10AA			MPTPFBF-10			
	MBF2012-10-()	100° FLUSH	MP550BFF-10AA			MPTRBF-11			
	MBF2013-10-()	130° FLUSH	MP550BFR-10AA			MPTPFBF-11			
11/32 (-11)	MBF2010-11-()	REDUCED PROT. HD	MP550BFR-11AA	MPTBF-12 ④		MPTRBF-11	1.48	1.32	.75
	MBF2011-11-()	HEX	MP550BFP-11AA			MPTPFBF-11			
	MBF2012-11-()	100° FLUSH	MP550BFF-11AA			MPTRBF-11			
	MBF2013-11-()	130° FLUSH	MP550BFR-11AA			MPTPFBF-12			
3/8 (-12)	MBF2010-12-()	REDUCE D PORT. HD	MP550BFR-12AA	MPTBF-12 ④	MPTRBF-12	1.48	1.32	.75	
	MBF2011-12-()	HEX	MP550BFP-12AA		MPTPFBF-12				
	MBF2012-12-()	100° FLUSH	MP550BFF-12AA		MPTRBF-12				
	MBF2013-12-()	130° FLUSH	MP550BFR-12AA		MPTPFBF-12				

- ① Combination wrench adapter and torque driver requires removal of master torque driver (MTD550BF).
- ② Larger male thread on nose adapter requires removal of aluminum nut (MN550) supplied with the tool.
- ③ See Motor Breakdown section for spare parts and assembly.
- ④ Included with MP550BF pneumatic motor assembly (Column 5).

The complete pneumatic assembly (column 4) includes the pneumatic motor assembly (column 5), the appropriate wrench adapter (column 6) and the appropriate nose adapter (column 7).