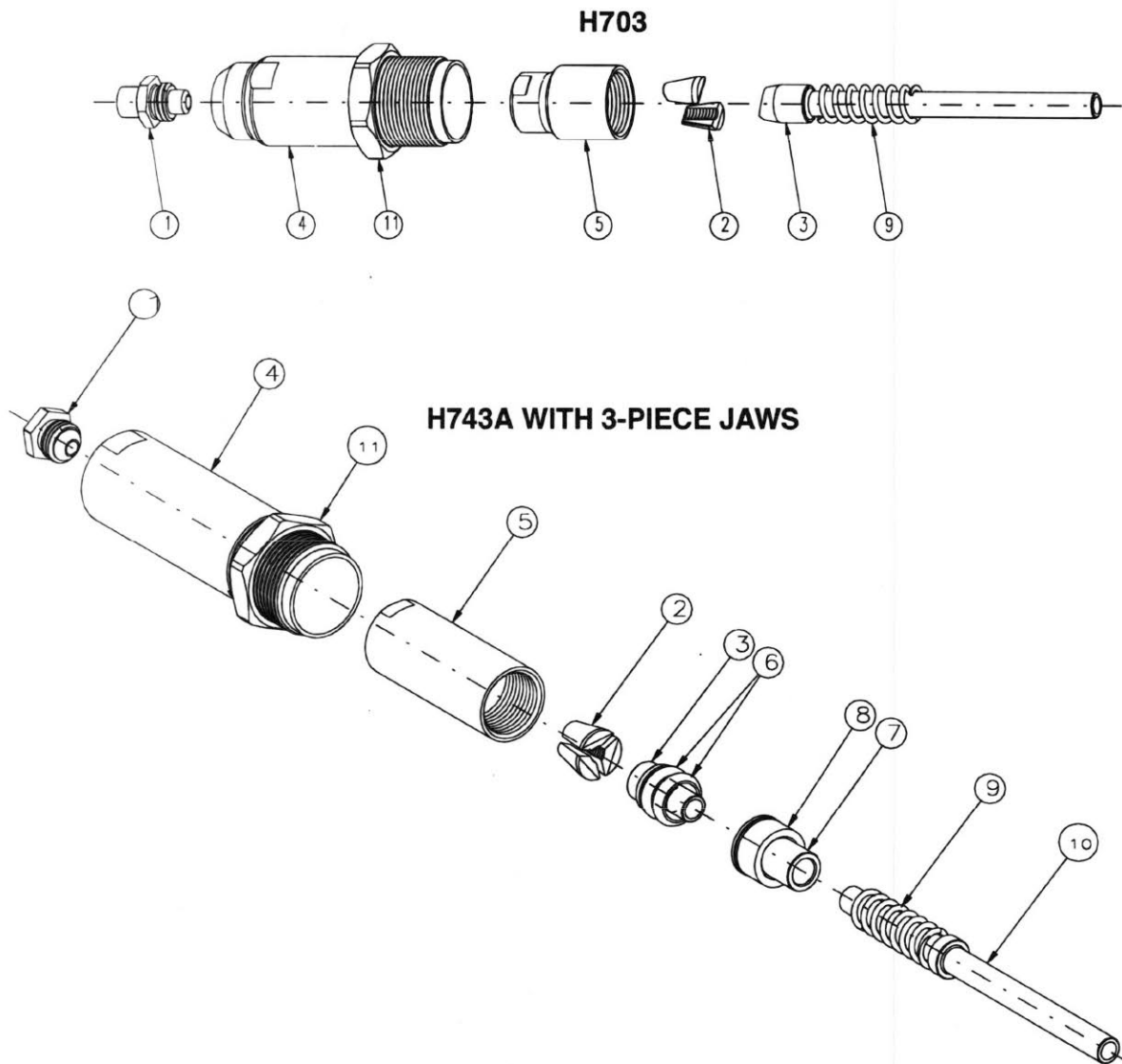




## Installing the H703 and H743A Pulling Heads



1. Connect the tool to the air supply. Without depressing the trigger, place spring (9) over tube (10 or 3) as shown, and insert as far as possible into head piston.
2. H743A. Place jaws (2) inside collet (5). Place 2 O-rings (6) over jaw follower (3) and cushion (8) over spring follower (7). Assemble jaw follower (3) and spring follower (7) and insert into collet (5). Screw this assembly onto the head piston, making sure the tapered end of the jaw follower (3) is properly aligned in the bevel in the back end of the jaws (2).
3. Thread nosepiece (1) completely into sleeve (4) and place (4) into end of head body while depressing the trigger. Tighten snugly.
4. Tighten jam-nut (11) securely.
5. These pulling heads will give long life if properly maintained. This includes keeping the head clean and dry and all the parts securely tightened. The only lubrication required is a little Lubriplate inside the cone of the collet to assure a sliding action against the back of the jaws.
6. In case of damage or wear to pulling head parts, dismantle and replace with parts selected from the following list.

USATCO U.S. Air Tool Company, Inc.

Eastern Division .....60 Fleetwood Ct., Ronkonkoma, NY 11779-6907 tel: (631) 471-3300 fax: (631) 471-3308

Western Division .....1219 W. Mahalo Place, Rancho Dominguez, CA 90220-5446 tel: (310) 632-5400 fax: (310) 632-3900

**Info@usatco.com**

# Installing the H703 and H743A Pulling Heads

## TECHNICAL DATA SHEET, Page 2 of 2

REF. NO.	QTY. REQ'D	NOSEPEICE PART NUMBER USING LISTED PULLING HEADS		RIVET DIAM.	STYLE OF AVDEL CHERRY COMMERCIAL FASTENER						
		H703	H743A		N RIVET	Q RIVET	C-M RIVET	T RIVET	MONO-BOLT	KT RIVET	G RIVET
1	1	*728A9-3Z	—	3/32	ALL	—	—	—	—	—	—
		728A9-4	—	1/8	ALL	ALL	—	—	—	—	—
		*728A9-104	—	5/32	ALL	ALL	—	—	—	—	—
		728A9-4	—	3/16	—	—	ALL	—	—	—	—
		728A9-6	*743A7-5C6Z		ALL	ALL	—	—	—	—	—
		*703A25-6T	*703A25-6T		—	—	—	BSPT	—	—	—
		*703A25-6TA	*703A25-6TA		—	—	—	BAPT-S	—	—	—
		—	*743B35A		—	—	—	—	ALL	—	ALL
		—	*743C53		—	—	—	—	—	ALL (2)	—
		728A9-6	*743A7-5C6Z	1/4	—	—	ALL	—	—	—	—
		—	*743A7-8Z		(1)	(3)	—	—	—	—	—
		—	*743A25-8TA		—	—	—	BAPT-S	—	—	—
		—	*743B32A		—	—	—	—	BAPV	—	BAPG
		—	*743C51		—	—	—	—	—	ALL(2)	—
—	—	—	—		—	—	—	—	—		

REF. NO.	QTY. REQ'D.	PARTNUMBER FOR LISTED PULLING HEADS		DESCRIPTION
		H703	*H743A	
4	1	703B7	743B91	SLEEVE
11	1	743A18	743A18	JAM NUT
5	1	703A8	743B92	COLLET
2	1(SET)	728B4(2PC)	743C55 (3PC)	JAWS
3	1	743A8-8Z	743B93	JAW FOLLOWER
6	2	—	P1195	O-RING
8	1	—	743A95	CUSHION
7	1	—	743B94	SPRING FOLLOWER
9	1	732A8	732A8	JAW SPRING
10	1	—	743A14-8Z	EJECTION TUBE

- (1) AAP AND BSP.  
 (2) REQUIRES TWO PULLING STROKES TO SET RIVET.  
 (3) AAPQ and BSPQ.

\*MUST BE ORDERED SEPARATELY.

### WARRANTY

Seller warrants the goods conform to applicable specifications and drawings and will be manufactured and inspected according to generally accepted practices of companies manufacturing industrial or aerospace fasteners. In the event of any breach of the foregoing warranty, Buyer's sole remedy shall be to return defective goods (after receiving authorization from Seller) for replacement or refund of the purchase price, at the Seller's option. Seller agrees to any freight costs in connection with the return of any defective goods, but any costs relating to removal of the defective or nonconforming goods or installation of replacement goods shall be Buyer's responsibility. SELLER'S WARRANTY DOES NOT APPLY WHEN ANY PHYSICAL OR CHEMICAL CHANGE IN THE FORM OF THE PRODUCT IS MADE BY BUYER. THE FOREGOING EXPRESS WARRANTY AND REMEDY ARE EXCLUSIVE AND ARE IN LIEU OF ALL OTHER WARRANTIES AND REMEDIES; ANY IMPLIED WARRANTY AS TO QUALITY, FITNESS FOR PURPOSE, OR MERCHANTABILITY IS HEREBY SPECIFICALLY DISCLAIMED AND EXCLUDED BY SELLER. This warranty is void if seller is not notified in writing of any rejection of the goods within ninety (90) days after receipt of the goods by buyer.

Seller shall not be liable under any circumstances for incidental, special or consequential damages arising in whole or in part from any breach by Seller, AND SUCH INCIDENTAL, SPECIAL, OR CONSEQUENTIAL DAMAGES ARE HEREBY EXPRESSLY EXCLUDED.

Our policy is one of continuous development. Specifications shown in this document may be subject to changes introduced after publication.

NOTE: The properties, strength, dimensions, installed characteristics and all other information in these materials are for guidance only to aid in the correct selection of the products described herein and is not intended or implied as part of the above warranty. All applications should be evaluated for functional stability and available samples of the described parts can be requested for installed tests, suitability and evaluations.

For more information please contact our Technical Services Department at tel. 714-850-6022

USATCO U.S. Air Tool Company, Inc.

Info@usatco.com

Eastern Division .....60 Fleetwood Ct., Ronkonkoma, NY 11779-6907 tel: (631) 471-3300 fax: (631) 471-3308

Western Division .....1219 W. Mahalo Place, Rancho Dominguez, CA 90220-5446 tel: (310) 632-5400 fax: (310) 632-3900