

G-30 HAND RIVETER

Hand Riveter

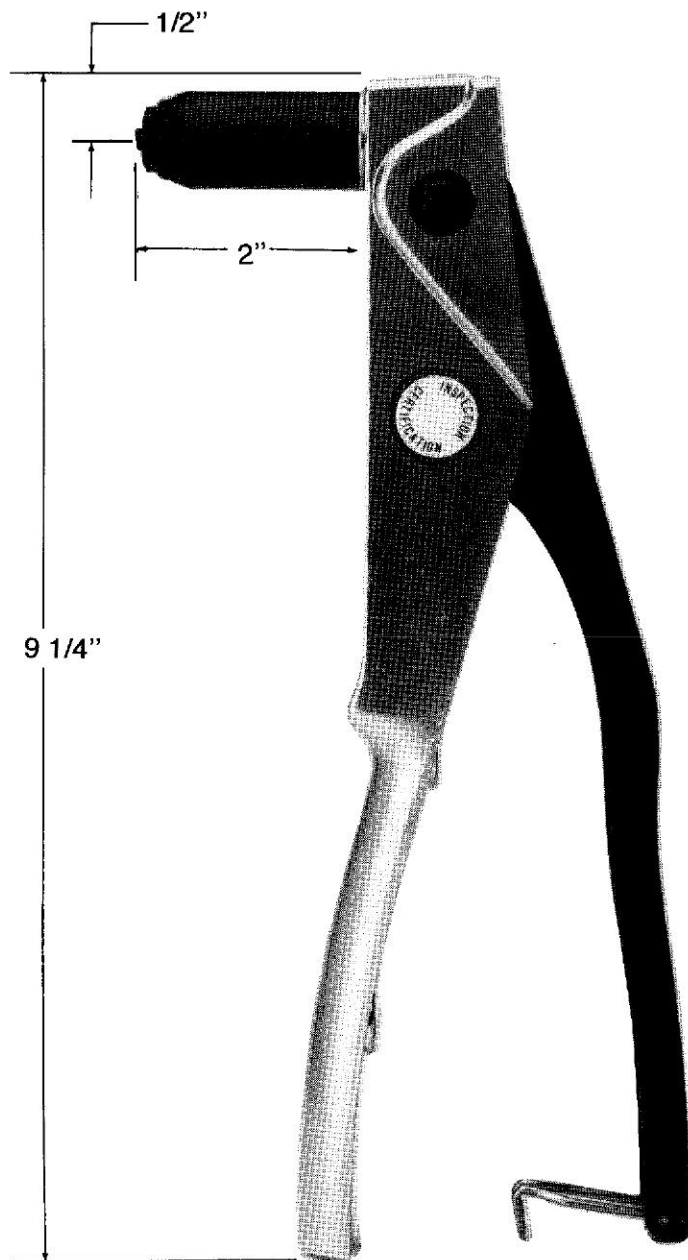
The Cherry® G-30 Hand Riveter is an efficient, compact, lightweight tool for installing CherryLock® "A" code nut-plate rivets CR2672 & CR2673 series.

Provided with this tool is a special designed nose piece essential for the proper insertion of the rivet locking collar.

The G30 is 9 1/4" long, weighs just 13 ounces and is intended for use with limited access or where an air supply is not readily available, preventing the use of Cherry® pneumatic riveters.

This tool will also install the Cherry® CCR264/274 series rivets with a 728A9 series nosepiece.

To operate, insert the serrated stem of the rivet into the nosepiece. Insert the rivet into the application, holding the riveter nosepiece firmly and squarely against the rivet head and squeeze the handles to install the rivet. On longer grip rivets, additional strokes will be required.



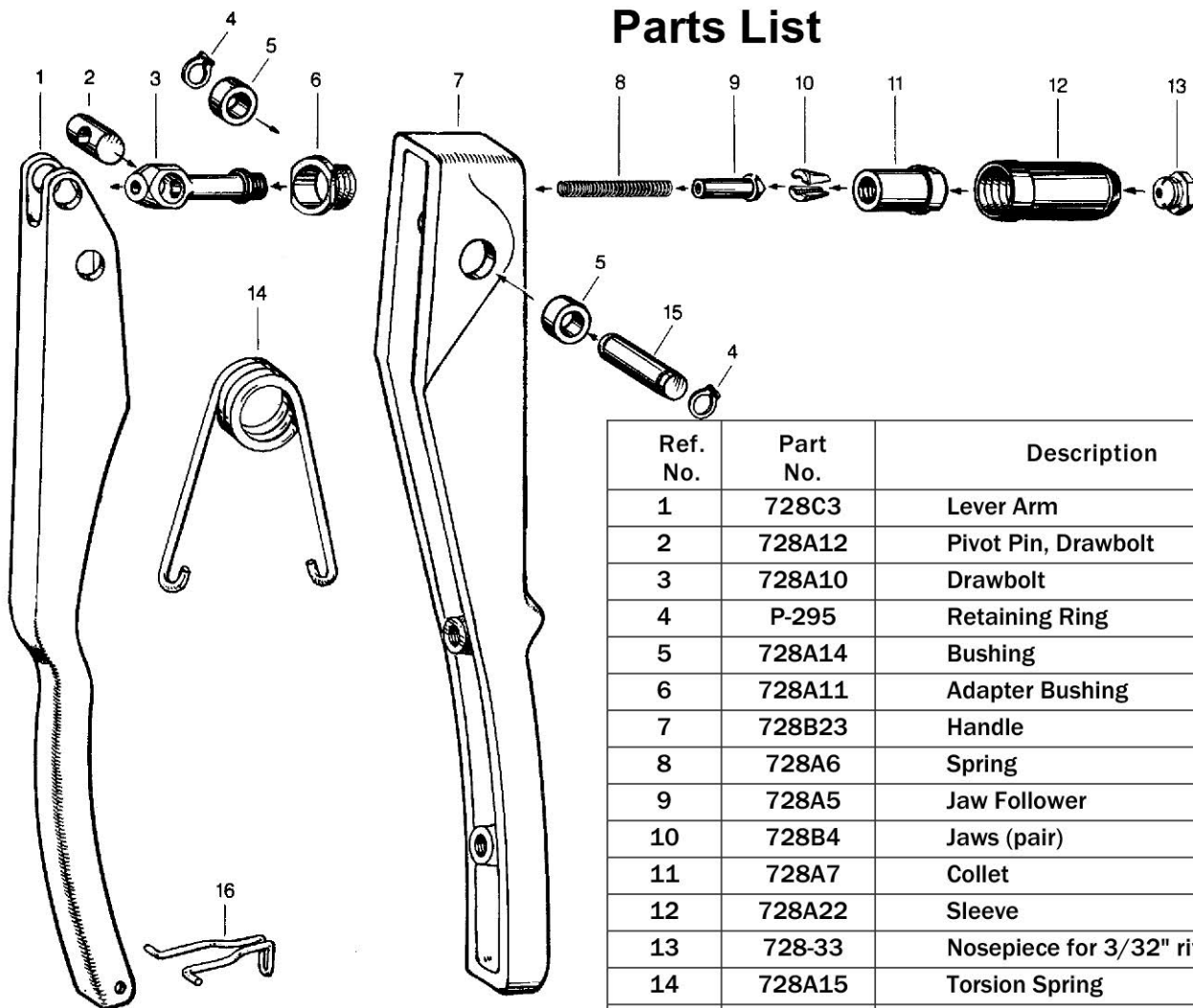
CHERRY®
AEROSPACE

USATCO U.S. Air Tool Company, Inc.

Eastern Division60 Fleetwood Ct., Ronkonkoma, NY 11779-6907 tel: (631) 471-3300 fax: (631) 471-3308

Western Division1219 W. Mahalo Place, Rancho Dominguez, CA 90220-5446 tel: (310) 632-5400 fax: (310) 632-3900

G-30 Parts List



Ref. No.	Part No.	Description	Qty. Req.
1	728C3	Lever Arm	1
2	728A12	Pivot Pin, Drawbolt	1
3	728A10	Drawbolt	1
4	P-295	Retaining Ring	2
5	728A14	Bushing	2
6	728A11	Adapter Bushing	1
7	728B23	Handle	1
8	728A6	Spring	1
9	728A5	Jaw Follower	1
10	728B4	Jaws (pair)	1
11	728A7	Collet	1
12	728A22	Sleeve	1
13	728-33	Nosepiece for 3/32" rivets	1
14	728A15	Torsion Spring	1
15	728A13	Pivot Pin, Lever Arm	1
16	728A16	Clip	1

WARRANTY

Seller warrants the goods conform to applicable specifications and drawings and will be manufactured and inspected according to generally accepted practices of companies manufacturing industrial or aerospace fasteners. In the event of any breach of the foregoing warranty, Buyer's sole remedy shall be to return defective goods (after receiving authorization from Seller) for replacement or refund of the purchase price, at the Seller's option. Seller agrees to any freight costs in connection with the return of any defective goods, but any costs relating to removal of the defective or nonconforming goods or installation of replacement goods shall be Buyer's responsibility. SELLER'S WARRANTY DOES NOT APPLY WHEN ANY PHYSICAL OR CHEMICAL CHANGE IN THE FORM OF THE PRODUCT IS MADE BY BUYER.

THE FOREGOING EXPRESS WARRANTY AND REMEDY ARE EXCLUSIVE AND ARE IN LIEU OF ALL OTHER WARRANTIES AND REMEDIES; ANY IMPLIED WARRANTY AS TO QUALITY, FITNESS FOR PURPOSE, OR MERCHANTABILITY IS HEREBY SPECIFICALLY DISCLAIMED AND EXCLUDED BY SELLER. THIS WARRANTY IS VOID IF SELLER IS NOT NOTIFIED IN WRITING OF ANY REJECTION OF THE GOODS WITHIN ONE (1) YEAR AFTER INITIAL USE BY BUYER OF ANY POWER RIVETER OR NINETY (90) DAYS AFTER INITIAL USE OF ANY OTHER PRODUCT.

Seller shall not be liable under any circumstances for incidental, special or consequential damages arising in whole or in part from any breach by Seller, AND SUCH INCIDENTAL, SPECIAL, OR CONSEQUENTIAL DAMAGES ARE HEREBY EXPRESSLY EXCLUDED.



CHERRY[®]
AEROSPACE

USATCO U.S. Air Tool Company, Inc.

Eastern Division60 Fleetwood Ct., Ronkonkoma, NY 11779-6907 tel: (631) 471-3300 fax: (631) 471-3308

Western Division1219 W. Mahalo Place, Rancho Dominguez, CA 90220-5446 tel: (310) 632-5400 fax: (310) 632-3900