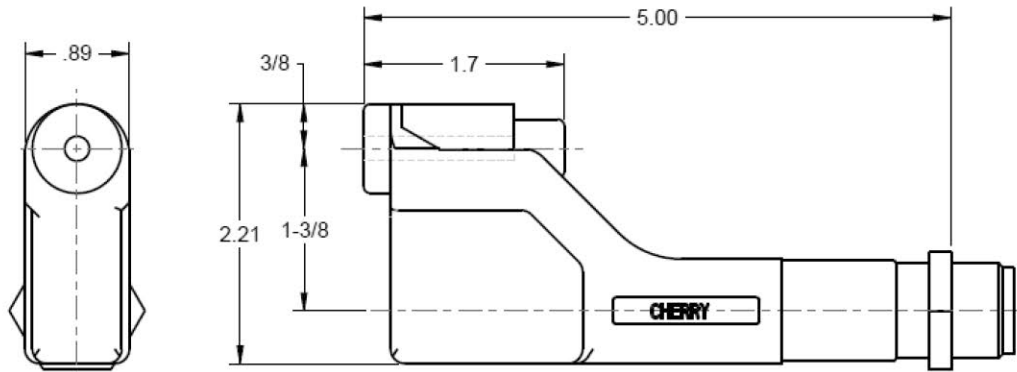


H856-6MB

PULLING HEAD FOR 3/16" MAXIBOLT® RIVETS

INSTRUCTION SHEET



The H856-6MB Offset Pulling Head installs 3/16" diameter (-06) MAXIBOLT®.

RECOMMENDED RIVETERS

- **G744**
- **G83/G84** with 744-200 adapter
- **G85D** or **G87D** with 560-070 adapter

MOUNTING INSTRUCTIONS

Thread the drawbolt adapter clockwise onto the riveter piston. Continue turning until the frame adapter seats in head cylinder. Make sure that the drawbolt is pushed all the way forward, touching the frame. Continue threading the frame into the riveter until it stops. Use the jam nut to lock in place.

ASSEMBLY AND MAINTENANCE (SEE PARTS LIST)

Lubricate regularly the contact areas between drawbolt (3) and frame (9) with light oil. Keep the pulling head clean, especially around the riveting end, as adhesives, chips, sealants, etc. may cause the rivet stem to slip. Occasionally lubricate jaws (4) with Lubriplate®.

TO DISASSEMBLE

- Using a 3/8" hex key, remove drawbolt extension (11). Remove the guard (2). Using a drift pin, remove the roll-pin (8). Lift the drawbolt (3) out of the frame (9).
To remove jaws (4), use 1" wrench to remove the snubber assy (7), O-ring (5), then the jaws (4) can be removed. To reassemble, reverse procedure.

NOTE: Apply Loctite® 242 when assembling nosepiece (1) to the frame (9) and the drawbolt (3).

USATCO U.S. Air Tool Company, Inc.

Info@usatco.com

Eastern Division60 Fleetwood Ct., Ronkonkoma, NY 11779-6907 tel: (631) 471-3300 fax: (631) 471-3308

Western Division1219 W. Mahalo Place, Rancho Dominguez, CA 90220-5446 tel: (310) 632-5400 fax: (310) 632-3900

H856-6MB

PULLING HEAD FOR 3/16" MAXIBOLT® RIVETS

INSTRUCTION SHEET

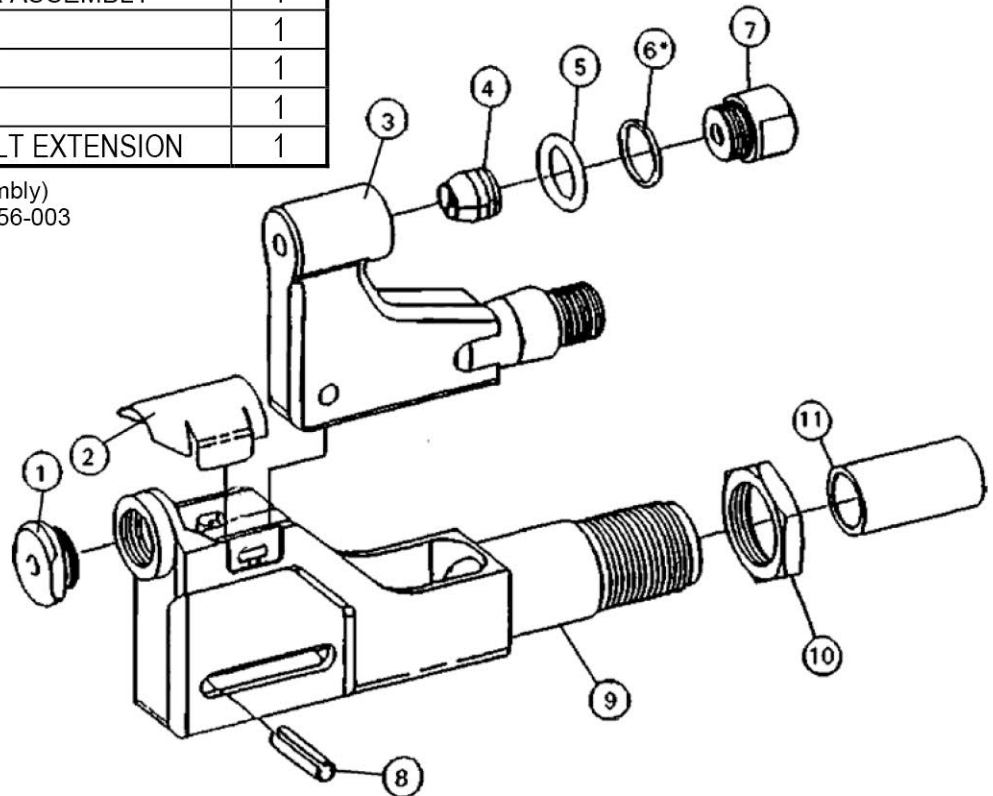


PARTS LIST

ITEM NO.	PART NO.	DESCRIPTION	QTY.
1**	856-002	NOSEPIECE	1
2	827-014	GUARD	1
3	827-012	DRAWBOLT	1
4	744C76	JAW SET	1
5	P-1267	O-RING	1
6*	563A46	WASHER	1
7	827-004	SNUBBER ASSEMBLY	1
8	P-1248	ROLL PIN	1
9	827-011	FRAME	1
10	642A64	JAM NUT	1
11	827-013	DRAWBOLT EXTENSION	1

* Included with Item 7 (Snubber Assembly)

** For "U" Type Nosepiece use P/N: 856-003



LOCTITE® is a registered trademark of Henkel Corporation.
LUBRIPLATE® is a registered trademark of Fiske Brothers Refining Co

WARRANTY

Seller warrants the goods conform to applicable specifications and drawings and will be manufactured and inspected according to generally accepted practices of companies manufacturing industrial or aerospace fasteners. In the event of any breach of the foregoing warranty, Buyer's sole remedy shall be to return defective goods (after receiving authorization from Seller) for replacement or refund of the purchase price, at the Seller's option. Seller agrees to any freight costs in connection with the return of any defective goods, but any costs relating to removal of the defective or nonconforming goods or installation of replacement goods shall be Buyer's responsibility. SELLER'S WARRANTY DOES NOT APPLY WHEN ANY PHYSICAL OR CHEMICAL CHANGE IN THE FORM OF THE PRODUCT IS MADE BY BUYER. THE FOREGOING EXPRESS WARRANTY AND REMEDY ARE EXCLUSIVE AND ARE IN LIEU OF ALL OTHER WARRANTIES AND REMEDIES; ANY IMPLIED WARRANTY AS TO QUALITY, FITNESS FOR PURPOSE, OR MERCHANTABILITY IS HEREBY SPECIFICALLY DISCLAIMED AND EXCLUDED BY SELLER. This warranty is void if seller is not notified in writing of any rejection of the goods within ninety (90) days after receipt of the goods by buyer. Seller shall not be liable under any circumstances for incidental, special or consequential damages arising in whole or in part from any breach by Seller, AND SUCH INCIDENTAL, SPECIAL, OR CONSEQUENTIAL DAMAGES ARE HEREBY EXPRESSLY EXCLUDED. Our policy is one of continuous development. Specifications shown in this document may be subject to changes introduced after publication. NOTE: The properties, strength, dimensions, installed characteristics and all other information in these materials are for guidance only to aid in the correct selection of the products described herein and is not intended or implied as part of the above warranty. All applications should be evaluated for functional stability and available samples of the described parts can be requested for installed tests, suitability and evaluations.

For more information please contact our Technical Services Department at tel. 714-850-6022

USATCO U.S. Air Tool Company, Inc.

Info@usatco.com

Eastern Division60 Fleetwood Ct., Ronkonkoma, NY 11779-6907 tel: (631) 471-3300 fax: (631) 471-3308
Western Division1219 W. Mahalo Place, Rancho Dominguez, CA 90220-5446 tel: (310) 632-5400 fax: (310) 632-3900