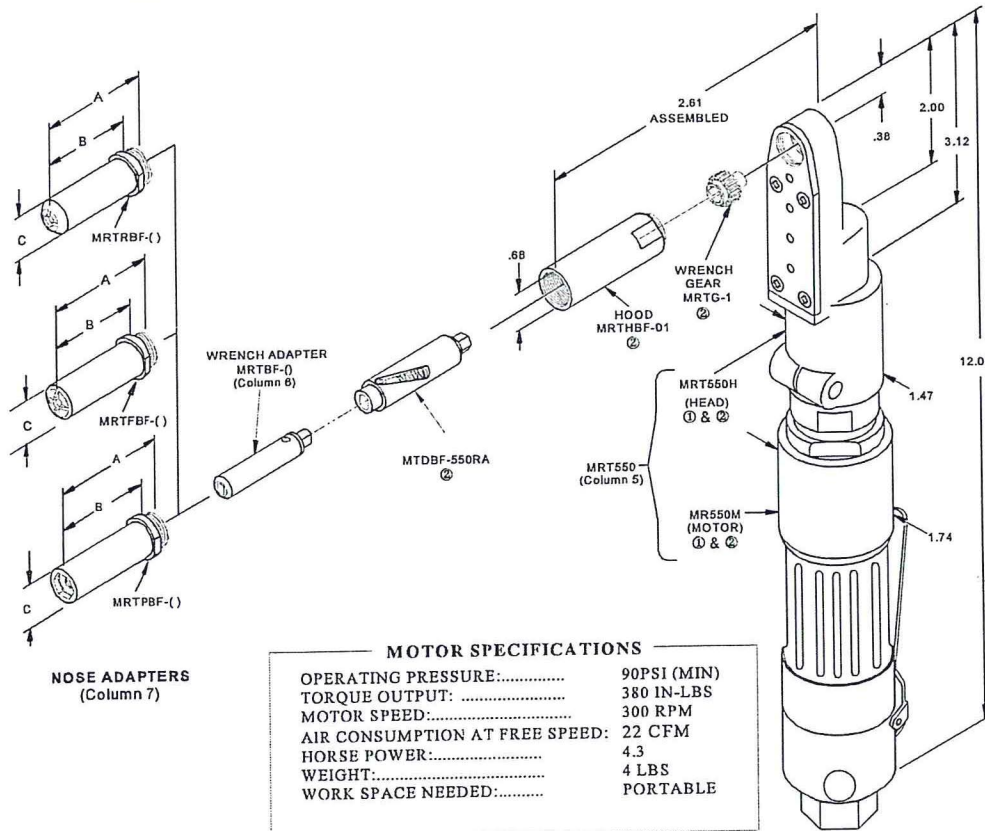




COMPOSI-LOK® BLIND BOLT INSTALLATION

MRT550BF Pneumatic Right Angle Torque Responsive Tool



| 1          | 2                   | 3                   | 4                           | 5                        | 6              | 7            | 8         | 9         | 10      |      |     |
|------------|---------------------|---------------------|-----------------------------|--------------------------|----------------|--------------|-----------|-----------|---------|------|-----|
| BASIC DIA. | TYPICAL PART NUMBER | FASTENER HEAD STYLE | COMPLETE PNEUMATIC ASSEMBLY | PNEUMATIC MOTOR ASSEMBLY | WRENCH ADAPTER | NOSE ADAPTER | A (REF)   | B (REF)   | C (REF) |      |     |
| 5/32 (-5)  | MBF2010-05-(-)      | REDUCED PROT. HD    | MRT550BFR-5AA               | MRT550BF ②               | MRTBF-05       | MRTRBF-05    | 1.76      | 1.64      | .56     |      |     |
|            | MBF2011-05-(-)      | HEX                 | MRT550BFP-5AA               |                          |                | MRTPBF-05    | 1.80      | 1.68      |         |      |     |
|            | MBF2012-05-(-)      | 100° FLUSH          | MRT550BFF-5AA               |                          |                | MRTFBF-05    | 1.75      | 1.63      |         |      |     |
|            | MBF2013-05-(-)      | 130° FLUSH          | MRT550BFR-5AA               |                          |                | MRTRBF-05    | 1.76      | 1.64      |         |      |     |
| 3/16 (-6)  | MBF2010-06-(-)      | REDUCED PROT. HD    | MRT550BFR-6AA               |                          | MRT550BF ②     | MRTBF-06     | MRTRBF-06 | 1.76      | 1.64    | .56  |     |
|            | MBF2011-06-(-)      | HEX                 | MRT550BFP-6AA               |                          |                |              | MRTPBF-06 | 1.80      | 1.68    |      |     |
|            | MBF2012-06-(-)      | 100° FLUSH          | MRT550BFF-6AA               |                          |                |              | MRTFBF-06 | 1.75      | 1.63    |      |     |
|            | MBF2013-06-(-)      | 130° FLUSH          | MRT550BFR-6AA               |                          |                |              | MRTRBF-06 | 1.76      | 1.64    |      |     |
| 7/32 (-7)  | MBF2010-07-(-)      | REDUCED PROT. HD    | MRT550BFR-7AA               |                          |                | MRT550BF ②   | MRTBF-07  | MRTRBF-07 | 1.76    | 1.64 | .56 |
|            | MBF2011-07-(-)      | HEX                 | MRT550BFP-7AA               |                          |                |              |           | MRTPBF-07 | 1.80    | 1.68 |     |
|            | MBF2012-07-(-)      | 100° FLUSH          | MRT550BFF-7AA               |                          |                |              |           | MRTFBF-07 | 1.75    | 1.63 |     |
|            | MBF2013-07-(-)      | 130° FLUSH          | MRT550BFR-7AA               |                          |                |              |           | MRTRBF-07 | 1.76    | 1.64 |     |
| 1/4 (-8)   | MBF2010-08-(-)      | REDUCED PROT. HD    | MRT550BFR-8AA               | MRT550BF ②               |                |              | MRTBF-08  | MRTRBF-08 | 1.76    | 1.64 | .56 |
|            | MBF2011-08-(-)      | HEX                 | MRT550BFP-8AA               |                          |                |              |           | MRTPBF-08 | 1.80    | 1.68 |     |
|            | MBF2012-08-(-)      | 100° FLUSH          | MRT550BFF-8AA               |                          |                |              |           | MRTFBF-08 | 1.75    | 1.63 |     |
|            | MBF2013-08-(-)      | 130° FLUSH          | MRT550BFR-8AA               |                          |                |              |           | MRTRBF-08 | 1.76    | 1.64 |     |

① Included with MRT550BF pneumatic motor assembly (Column 5).  
 ② See motor breakdown section for spare parts and assembly list.

The complete pneumatic assembly (column 4) includes the pneumatic motor assembly (column 5), the appropriate wrench adapter (column 6) and the appropriate nose adapter (column 7).