

Original Instructions



Instruction Manual 

Pass on to user to read and keep for reference

G746A

**COMPACT CHERRYMAX®
POWER TOOL**



CHERRY®
AEROSPACE

THE G746A TOOL

TABLE OF CONTENTS

Description	3
Technical Specifications	3
Putting the Tool in Service.....	3
General Operation Safety Warnings.....	4
Operating Instructions	5
Pulling Head Selection for Blind Fasteners	5
Pulling Head Selection for Cherry Rivetless Nutplate Products.....	6
Pulling Head Extensions Available	6
Riveter Repair and Maintenance	7
Tools and Service Kits Needed	7
Service Procedure	8
Head Cylinder Subassembly	8
Handle Subassembly	8
Air Valve Subassembly	8
Component List and Other Accessories	9
Cross Section View	10
Top Assembly (G746A) – Exploded View.....	11
Head Cylinder Subassembly (845-016) - Exploded View	12
Power Handle Subassembly (704-086) - Exploded View	13
Priming the Hydraulic System	14
Recommended Hydraulic Fluids	14
Fluid Handling Safety	14
Bleeding Instructions	15
Troubleshooting Guide	15
Declaration of Conformity	16

WARRANTY

Seller warrants the goods conform to applicable specifications and drawings and will be manufactured and inspected according to generally accepted practices of companies manufacturing industrial or aerospace fasteners. In the event of any breach of the foregoing warranty, Buyer's sole remedy shall be to return defective goods (after receiving authorization from Seller) for replacement or refund of the purchase price, at the Seller's option. Seller agrees to any freight costs in connection with the return of any defective goods, but any costs relating to removal of the defective or nonconforming goods or installation of replacement goods shall be Buyer's responsibility. SELLER'S WARRANTY DOES NOT APPLY WHEN ANY PHYSICAL OR CHEMICAL CHANGE IN THE FORM OF THE PRODUCT IS MADE BY BUYER.

THE FOREGOING EXPRESS WARRANTY AND REMEDY ARE EXCLUSIVE AND ARE IN LIEU OF ALL OTHER WARRANTIES AND REMEDIES; ANY IMPLIED WARRANTY AS TO QUALITY, FITNESS FOR PURPOSE, OR MERCHANTABILITY IS HEREBY SPECIFICALLY DISCLAIMED AND EXCLUDED BY SELLER. THIS WARRANTY IS VOID IF SELLER IS NOT NOTIFIED IN WRITING OF ANY REJECTION OF THE GOODS WITHIN ONE (1) YEAR AFTER INITIAL USE BY BUYER OF ANY POWER RIVETER OR NINETY (90) DAYS AFTER INITIAL USE OF ANY OTHER PRODUCT.

Seller shall not be liable under any circumstances for incidental, special or consequential damages arising in whole or in part from any breach by Seller, AND SUCH INCIDENTAL, SPECIAL, OR CONSEQUENTIAL DAMAGES ARE HEREBY EXPRESSLY EXCLUDED.

For more information please contact our Technical Services Department at Tel. 714-850-6022

LOCTITE® is a registered trademark of Henkel Corporation
DEXRON® is a registered trademark of GM Corporation.

PARKER® is a trademark of Parker Hannifin Corporation
LUBRRIPLATE® is a trademark of Fiske Brothers Refining Co.

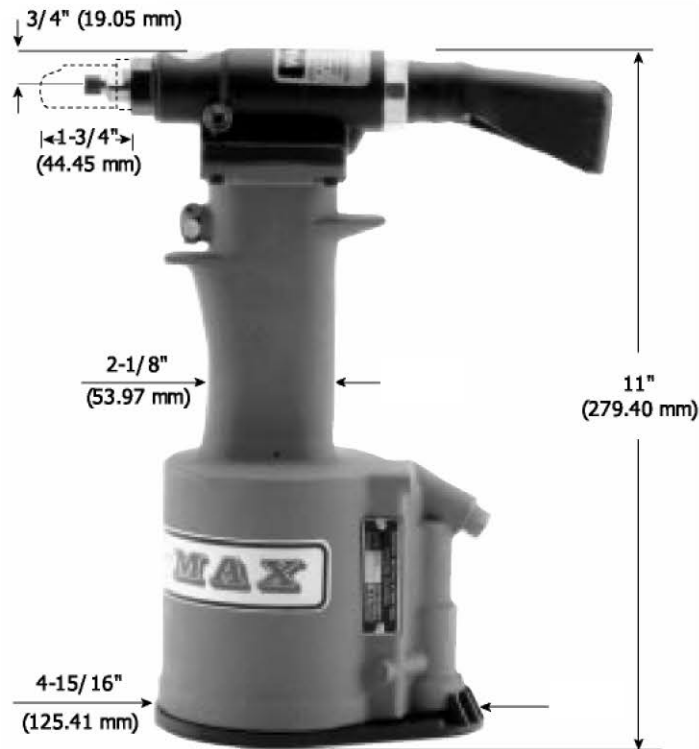
DESCRIPTION

The Cherry® G746A riveter is a compact but powerful riveter designed for high productivity, reliable installation of Cherrymax AB, Cherrylock A wiredraw blind fasteners, MBC and nutplate blind rivets.

TECHNICAL SPECIFICATIONS

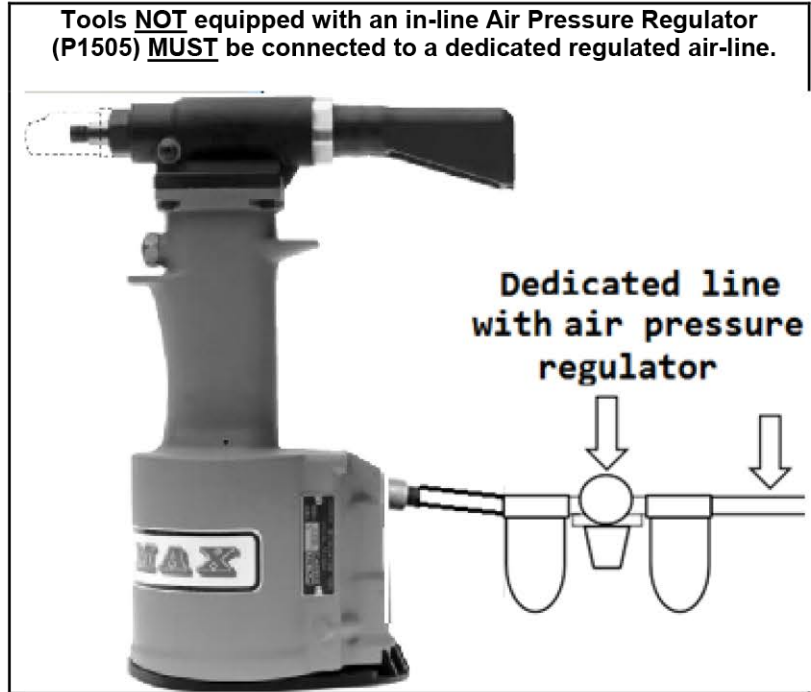
Cherry® Aerospace (CHERRY®) policy is one of continuous development. Specifications shown in this document may be subject to change which may be introduced after publication. For the latest information always consult CHERRY®.

AIR PRESSURE	90 to 120 PSI (6.2 to 7.6 bar)
STROKE	0.875 inch (22.23 mm)
MIN. PULLING-FORCE:	1850 lbs. @ 90 psi (8.23 kN @ 6.2 bar)
WEIGHT	4.25 lbs. (2.26 kg)
CYCLE TIME	One Second Approximately
NOISE LEVEL	72 dB (A)
VIBRATION	Less than 2.5 m/s ²
AIR CONSUMPTION	3.9 CFM (110.5 liters/M) at 20 Cycles/Minute



PUTTING THE TOOL IN SERVICE

The tool must be used with an air pressure regulator. Even if your shop air pressure is below the maximum recommended range, pressure spikes in your air-lines could cause serious damage to the tool or cause safety concerns.
















USATCO U.S. Air Tool Company, Inc.

Eastern Division60 Fleetwood Ct., Ronkonkoma, NY 11779-6907 tel: (631) 471-3300 fax: (631) 471-3308
 Western Division1219 W. Mahalo Place, Rancho Dominguez, CA 90220-5446 tel: (310) 632-5400 fax: (310) 632-3900

Info@usatco.com

GENERAL OPERATION and SAFETY WARNINGS

	<ul style="list-style-type: none"> • Wear proper PPE (<i>Personal Protection equipment</i>) when operating, servicing or repairing this tool
	<ul style="list-style-type: none"> • Read Manual; operators must be trained in safety and correct tool operation
	<ul style="list-style-type: none"> • Service and repairs shall be performed only by trained personnel.
	<ul style="list-style-type: none"> • Do not pull rivet in the air or directed at any person.
	<ul style="list-style-type: none"> • Do not use the tool with a damaged or missing stem deflector
	<ul style="list-style-type: none"> • Rotate the Stem Deflector facing away from the operator or critical aircraft structure; use a Stem Catcher if possible.
	<ul style="list-style-type: none"> • Do not pound on the rear of the tool head to force rivets into holes.
	<ul style="list-style-type: none"> • Make sure that the air muffler is not obstructed and is directed away from people.
	<ul style="list-style-type: none"> • Do not exceed the recommended air pressure. To ensure safety, use the pre-set air pressure regulator P/N P1505.
	<ul style="list-style-type: none"> • Make sure to disconnect from the air supply before service or repair.
	<ul style="list-style-type: none"> • Wash thoroughly after handling hydraulic fluid.
	<ul style="list-style-type: none"> • Unauthorized modifications, including using substitute components will void warranty and shall be at the customer's entire responsibility.
	<ul style="list-style-type: none"> • Do not use any substitutions as they will impact the tool safety and reliability life.



OPERATING INSTRUCTIONS

Before using the tool:

⚠ CAUTION ⚠

- Read the tool manual instructions; before first using the tool.
- Read and comply to all safety instructions given in this document in addition to the general safety rules applicable
- Make sure the tool is connected to an air source operating within the recommended pressure range
- Before installing the permanent fasteners, make sure that the structure is properly clamped with temporary fasteners
- Make sure that the correct pulling head is selected for the fastener to be installed and that the tool is in good working condition

Installing Fasteners: Place the fastener into the prepared hole then place the pulling head over its stem and depress the trigger.

PULLING HEAD SELECTION FOR BLIND FASTENERS

- The lists given below are for reference only; for more up to date and detailed information, please check on the Cherry Aerospace webpage as following: [Installation Tooling Manuals](#)(links to current tool manuals) and [Product Expert](#) (interactive database for tool recommendations)

Fastener Type	Part Number PH to use	Type	Adapter	Rivet Diameters	Max. Grip ¹
CherryMAX [®] Bulb (CR3XXX)	H701B-456	Straight	NONE	-4, -5 & -6 ²	All
	H747-456 ⁵		NONE	-4, -5 & -6 ²	All
	H753A-456 ⁵	Right Angle	NONE	-4, -5 & -6 ²	All
Cherry SST (CR6XXX)	H781-456, H781A-456	Offset	NONE	-4, -5 & -6 ²	All
	H782		NONE	-4, -5 & -6 ²	All
CherryMAX [®] AB (CR4XXX)	H701B-456	Straight	NONE	-4, -5 & -6 ²	-09 ¹
	H747-456 ⁵		NONE	-4, -5 & -6 ^{2,3}	-09 ¹
	H753A-456 ⁵	Right Angle	NONE	-4, -5 & -6 ^{2,3}	-04
	H781-456, H781A-456	Offset	NONE	-4, -5 & -6 ^{2,3}	-07 ¹
	H782		NONE	-4, -5 & -6 ^{2,3}	-07 ¹
MaxiBolt [®] S (CR7XXXS)	H701B-456	Straight	NONE	-4 only	All
	H747-456 ⁵		NONE	-4 only	All
	H753A-456 ⁵	Right Angle	NONE	-4 only	All
	H781-456, H781A-456	Offset	NONE	-4 only	All
	H782		NONE	-4 only	All
MBC L/C (Lock Creator)	H701B-456	Straight	NONE	-4, -5 & -6	-042
	H747-456 ⁵		NONE	-4, -5 & -6	-042
	H753A-456 ⁵	Right Angle	NONE	-4, -5 & -6	-04
	H781-456, H781A-456	Offset	NONE	-4, -5 & -6	-042
	H782		NONE	-4, -5 & -6	-042
MBC (No Lock Creator)	H746-4MBC (0R 5MBC, 6MBC)	Straight	None	-4, -5 OR -6	-042
CherryLock "A" (CR2X7X)	H747-3A	Straight	NONE	-3 ONLY	-042
	H955-3 (or -4, -5, -6)		NONE	-3, -4 & -5 ³	-042
	H886-3 (or -4, -5, -6)	Right Angle	NONE	-3, -4 & -5 ³	-04
MS ⁴ (CR9XXX) NPR (CCR274, CCR284) SPR (CR1233) Tacking Rivet (CCR294, CCR304)	H747-3NPR, H902-3NPR	Straight	NONE	-3 DIA. ONLY	All
	H902-4NPR		NONE	-4 DIA. ONLY	All
	H9015-3C (or -4C, -5C, -6C)		704A9	-3, -4, -5 & -6	All
	H9040-4C (or -5C, -6C, -8C)		704A6	-4, -5, -6 & -8	All

Notes:

¹ Longer grips may require a second activation of the trigger.

² Nominal and oversized diameters.

³ Alloy Steel and Monel only; no -6 diameter (3/17) Aluminum.

⁴ Serrated stems only.

⁵ This tool may be set-up to install other types and sizes of fasteners; see Tool Manual for details.

PULLING HEAD SELECTION FOR RIVETLESS NUTPLATE PRODUCTS

Structures	Installation Pulling Head	Removal Tool	For use with these RNP products
ALUMINUM	H704-223NP	-	CNP06C3
	H704-249NP	R721-3-30	CNP01C3
			CNP03C08, CNP03C3
			CNP05C3
			CNP14C3
			CNP15CM4, CNP15CM5
	H704-273NP	-	CNP56C3
	H704-280NP	R721-3-60	CNP11C08
			CNP11C3
	H704-295NP	-	CNP20C3
H704-223NP	-	CNP06C3	
H704-295NP	-	CNP20C3	
COMPOSITE	H704-275NPC	R721-275	CNP53C3
	H704-290NPC	-	CNP63C3

PULLING HEAD EXTENSIONS AVAILABLE

Extension P/N	Extends Pulling Head by	Removal Tool
704A12-2	2"	Extension for straight pulling heads
704A12-4	4"	Extension for straight pulling heads
704A12-6	6"	Extension for straight pulling heads
704A12-12	12"	Extension for straight pulling heads
753B21	2-3/16"	Extension for H753A-456 and H886

USATCO U.S. Air Tool Company, Inc.

Info@usatco.com

Eastern Division60 Fleetwood Ct., Ronkonkoma, NY 11779-6907 tel: (631) 471-3300 fax: (631) 471-3308

Western Division1219 W. Mahalo Place, Rancho Dominguez, CA 90220-5446 tel: (310) 632-5400 fax: (310) 632-3900

RIVETER REPAIR AND MAINTENANCE



This riveter has been manufactured to give maximum service with minimum care.

In order to keep the tools in optimum operating condition, it is advisable to set-up a Preventive Maintenance check list including, at a minimum, the following:

- Visually inspect the tool to make sure it is in good working condition and there are no fluid leaks
- Make sure the tool is bled regularly (page 15)
- Check the service sticker due date; service the tools on a regular basis.

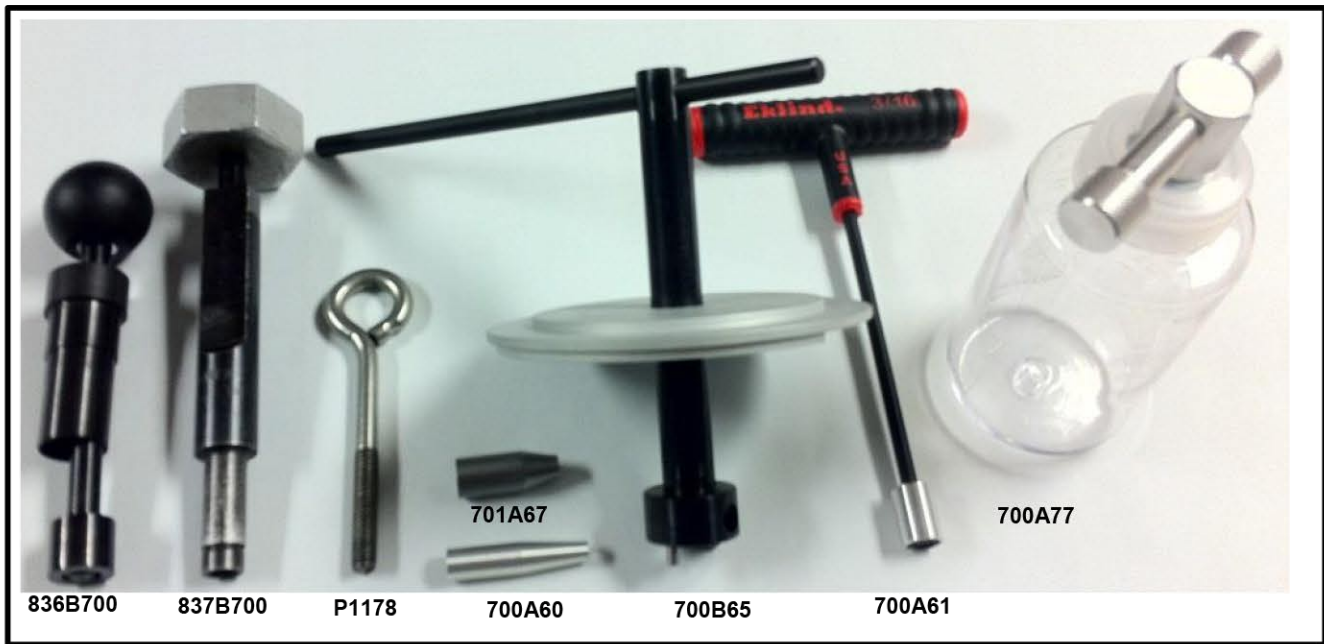
Should repair or service be necessary, follow the instructions given below.

⚠ CAUTION ⚠

- Read the tool manual instructions; it is advised that repair is conducted only by properly trained personnel.
- Make sure the air is disconnected.
- Protect the sealing surfaces to avoid damage.

Tools and Service Kits Needed

- Make sure that the proper service kit (*ordered separately*) and tools are available.
 - **SERVICE KIT:** G746AKS –(contains Springs, Seals, O-Rings and Back-up Rings)
 - **TOOLS:** G701/G704KT – tool kit and a Needle Nose Pair of Pliers



SERVICE PROCEDURE

Tools Needed:

700B65 (Packing Plug Wrench), 700A61 (Piston Rod Wrench), 700A62 (Power Cylinder Tool), 700A60 (Seal Guide), 9/64" Hex Key, A Bent Hook

Disassembly Instructions:

- Remove the Pulling Head (if any installed) then remove the Head Cylinder (1) by unthreading the four Cap Screws (19)

HEAD SUBASSEMBLY

Tools Needed:

701A67 (Seal Guide), 1-3/8 Standard Wrench, 1/8" and 9/64" Hex Keys

Disassembly Instructions:

- Remove back cap (12) and push the head piston (7) out carefully.
- O-rings (5, 8) and Back-up Ring (6) can be removed and replaced using a bent hook.

Re-assembly Instructions – Use the 701A67 Guide over the Piston threads to protect the seals.

- Replace all O-Rings and Backup rings then re-assemble by reversing the directions given above.

POWER HANDLE SUBASSEMBLY

Tools Needed:

700B65 (Packing Plug Wrench), 700A61 (Piston Rod Wrench), 700A62 (Power Cylinder Tool), 700A60 (Seal Guide), 9/64" Hex Key, A Bent Hook

Disassembly Instructions:

- Remove the Head Cylinder (1) and set it aside
- Drain all the fluid, then turn up-side down and remove the bottom covers (39 through 43);
- Push the power piston all the way down and unthread the locknut (38) and then remove the air piston (37) by using wrench 700B65; hold the top of the piston with tool 700A61 to prevent it from turning. Push piston out when completely unthreaded
- Remove packing plug (34) with the help of wrench 700B65.
- Tap the power cylinder (26) from the top (use tool 700A62); when loosened, it will fall through the bottom of the handle.
- Remove all the seals and inspect all components for wear. Replace all seals and worn components

Assembly Instructions:

- The re-assembly sequence is the opposite of disassembly; to prevent damage to piston threads; suggested tightening torque for the locknut (38) between 51 and 59 in.-lb. (5.65 and 6.67 N-m).
- After service, the riveter must be primed and bled (page 15)

AIR VALVE SUBASSEMBLY

Tools Needed:

P1178 (Valve Extractor), 836B700 (Spring Installation Tool), 837B700 (Valve Sleeve Removal Tool), Needle Nose Pliers

Disassembly Instructions:

- Remove retaining ring (55) and muffler (54).
- Pull out the valve plug (53) and the Valve Spool (48) with the help of extractor P1178;
- Dislodge and pull the spring (46) out using needle-nose pliers
- In the unlikely event that you want to pull the Valve Sleeve (45), use the tool 837B700 (internal expansion collet).

Assembly Instructions:

- Replace all O-Rings and apply an O-ring lubricant (Parker® silicone lube or equivalent).
- To re-assemble, reverse the procedure given above; snap the Spring (46) into its groove with the help of tool 836B700
- Make sure that all retaining rings are properly seated in their grooves. (41) and (55).

USATCO U.S. Air Tool Company, Inc.

Info@usatco.com

Eastern Division60 Fleetwood Ct., Ronkonkoma, NY 11779-6907 tel: (631) 471-3300 fax: (631) 471-3308

Western Division1219 W. Mahalo Place, Rancho Dominguez, CA 90220-5446 tel: (310) 632-5400 fax: (310) 632-3900

G746A – COMPONENT LIST AND OTHER ACCESSORIES *

Item	P/N	Description	Qty	Item	P/N	Description	Qty
1	845-016	Head assy	1	20	704-086	Handle assy (continued)	1
2	845-019	Head Cylinder	1	29	P830	O-ring	1
2A	845B6	Nose fitting	1	30	700-248	Power piston rod	1
3	P701	O-ring	2	31	P727	O-ring	1
4	P998	Back-up ring	1	32	P838	O-ring	2
5	P304	Quad Ring	1	33	P115	Back-up ring	2
6	P106	Back-up ring	1	34	700B93	Packing plug	1
7	845-017	Head piston	1	35	P731	Back-up ring	2
8	P848	O-Ring	1	36	P730	Quad ring	1
9	P572	Stat-o-seal	1	37	700B6	Air piston	1
10	P573	Button head screw	1	38	P737	Locknut	1
11	P244	O-ring	2	39	P725	O-ring	1
12	701B4	Back cap	1	40	700B4	Handle base	1
13	P880	Retaining ring	1	41	P735	Retaining ring	1
14	703A13	Deflect fitting	1	42	700D107	Base cover	1
15	530A16	Pin deflector	1	43	P736	Retaining ring	1
16	P112	Oring	1	44	P653	O-ring	4
17	P832	O-ring	1	45	700B96	Valve sleeve	1
18	700A22	Gasket	1	46	700A67	Spring	1
19	P27	Soc hd cap screw	4	47	P829	O-ring	3
20	704-086	Handle assy	1	48	700A94	Spool Valve Assy.	1
21	703A33	Trigger assy	1	49	700B95	Valve spool	1
22	P223	O-ring	1	50	700A18	Filter	1
23	703A32	Trigger sleeve	1	51	700A69	Metering screw	1
24	530A38	Trigger	1	52	P834	O-ring	2
25	703A11	Handle	1	53	700A16	Valve plug mold	1
26	700-247	Power cylinder	1	54	700A17	Muffler	1
27	P833	O-ring	2	55	P279	Retaining ring	1
28	P739	Back-up ring	1				

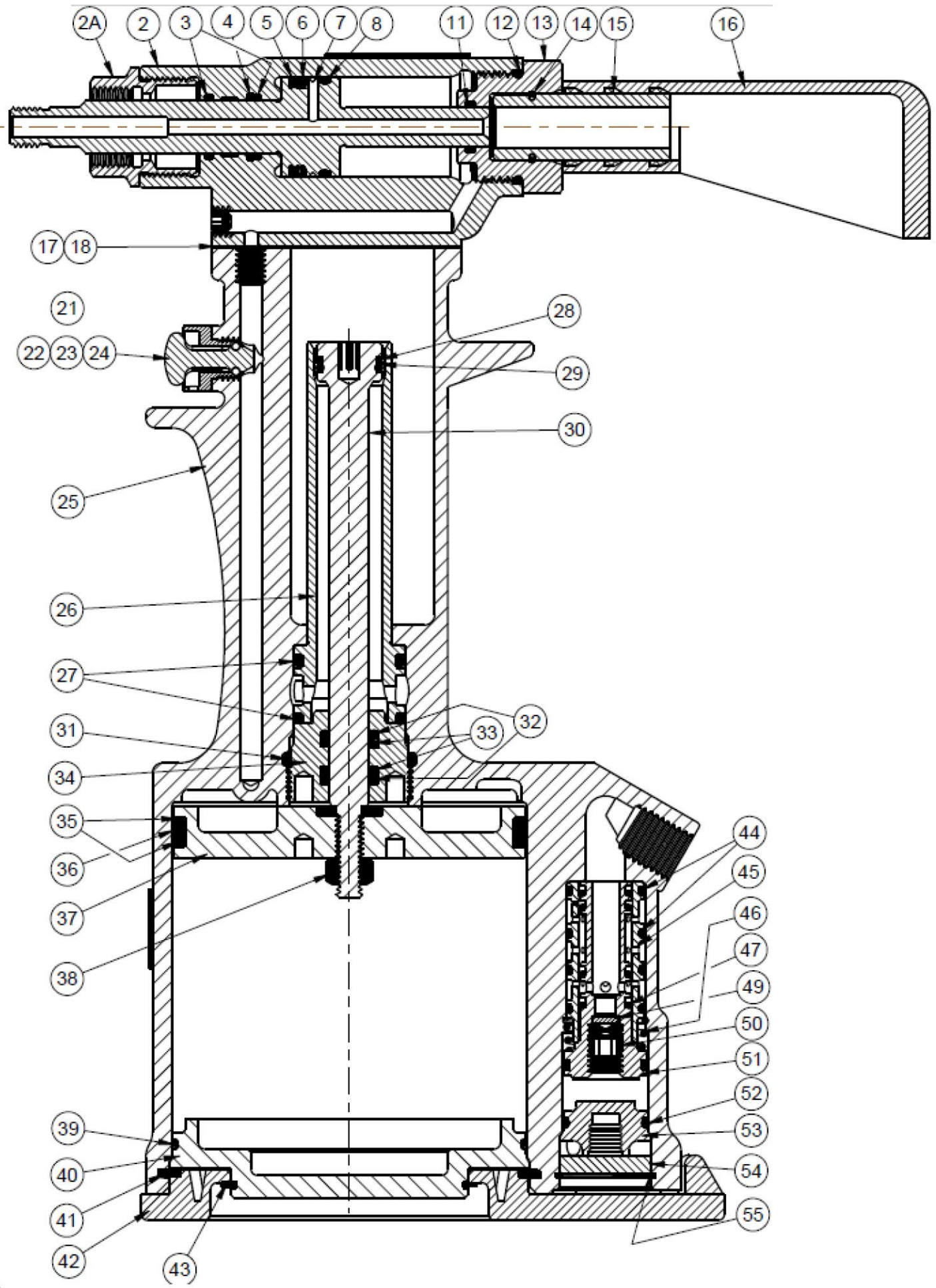
Do not use third party or substitute components, as it may cause significant damage to the tool.

Also recommended but not included with the riveter:

P/N	Description	Qty.	Comment
700A77	Air Bleeder	1	For Regular Up-Keep Of The Hydraulic System
P1505	In-Line Press. Regulator	1	To Prevent Air Spikes, If Regulated Air Is Not Available
670A20	Canvas Bag	1	For FOD Control (To Contain Spent Pins)
RIVAC 220-03	Vacuum Stem Collector	1	Use This Instead Of 670A20 For FOD Control

**Reference Cross Section Drawing G746A*

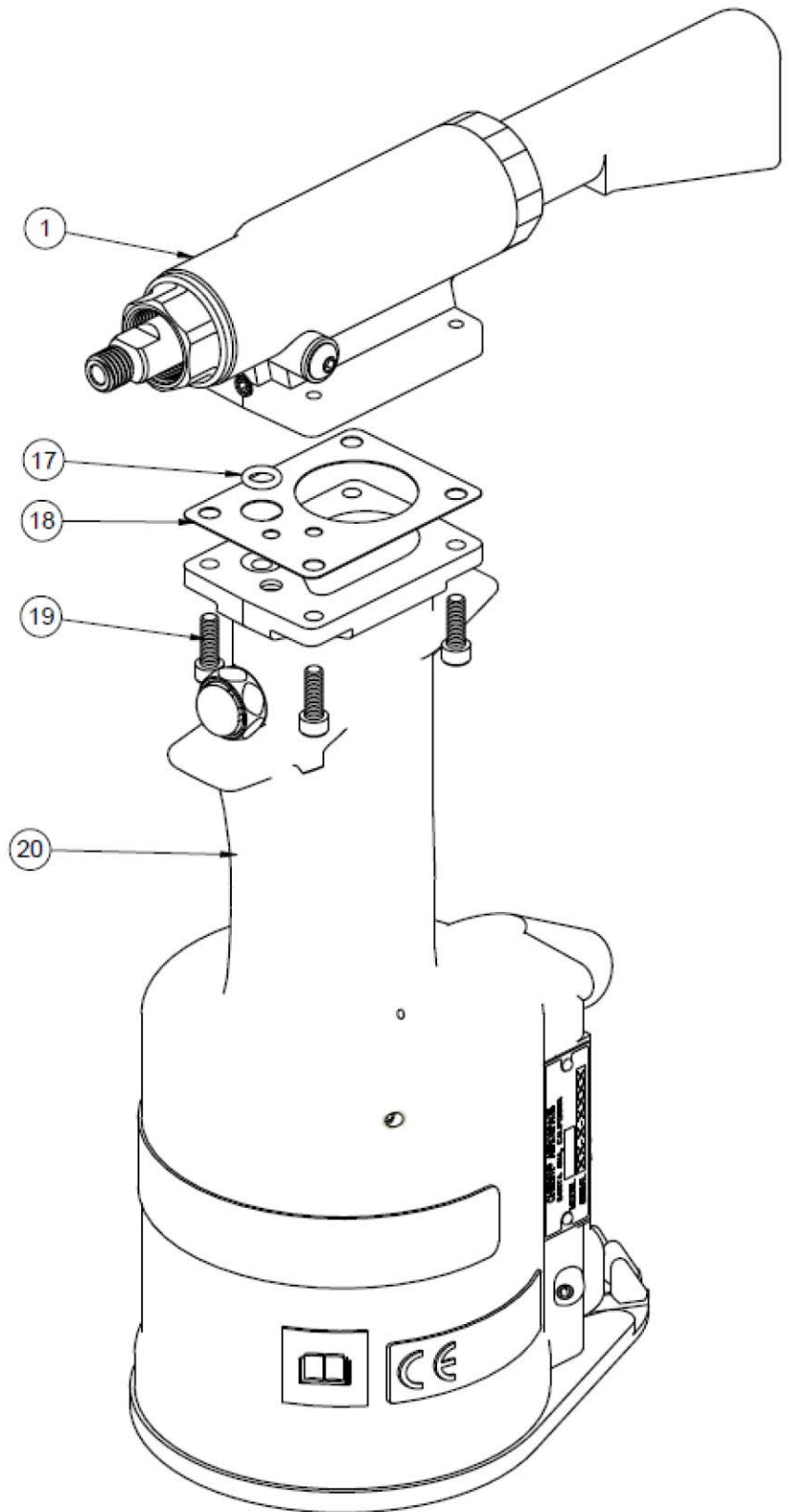
G746A – CROSS SECTION



G746A

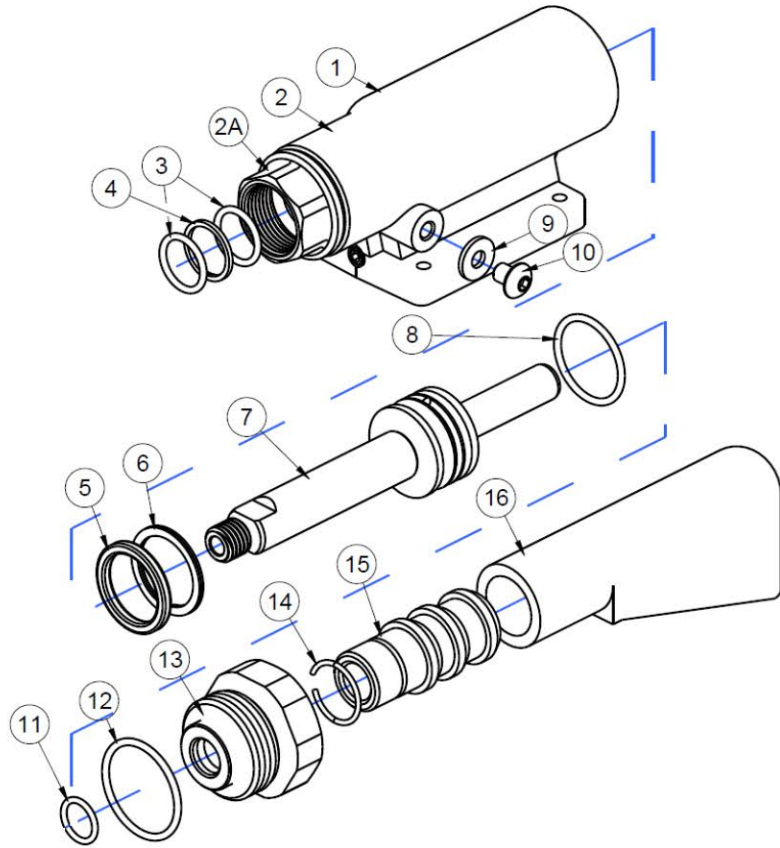
TOP ASSEMBLY

ITEM	P/N	DESCRIPTION	QTY.
1	846-016	Head assy.	1
17	P832	O-ring	1
18	700A22	Gasket	1
19	P27	Soc. hd. cap screw	4
20	704-086	Handle assy.	1



HEAD CYLINDER ASSEMBLY (845-016)

Item	P/N	Description	Qty
1	845-016	Head assy	1
2	845-019	Head Cylinder	1
2A	845B6	Nose fitting	1
3	P701	O-ring	2
4	P998	Back-up ring	1
5	P304	Quad Ring	1
6	P106	Back-up ring	1
7	845-017	Head piston	1
8	P848	O-Ring	1
9	P572	Stat-o-seal	1
10	P573	Button head screw	1
11	P244	O-ring	2
12	701B4	Back cap	1
13	P880	Retaining ring	1
14	703A13	Deflect fitting	1
15	530A16	Pin deflector	1
16	P112	Oring	1



USATCO U.S. Air Tool Company, Inc.

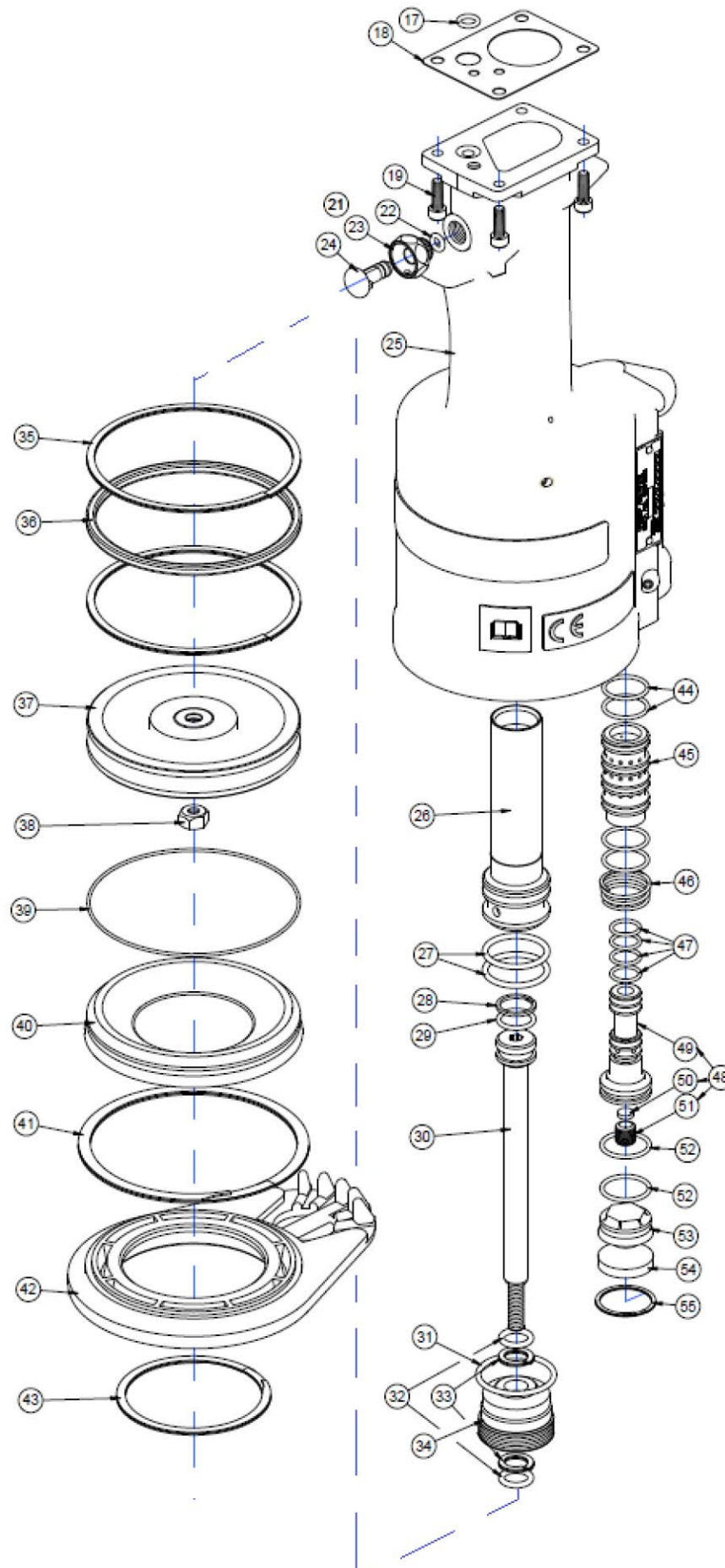
Info@usatco.com

Eastern Division60 Fleetwood Ct., Ronkonkoma, NY 11779-6907 tel: (631) 471-3300 fax: (631) 471-3308
 Western Division1219 W. Mahalo Place, Rancho Dominguez, CA 90220-5446 tel: (310) 632-5400 fax: (310) 632-3900

POWER HANDLE ASSEMBLY (704-086)



Item	P/N	Description	Qty
17	P832	O-ring	1
18	700A22	Gasket	1
19	P27	Soc hd cap screw	4
20	704-086	Handle assy	1
21	703A33	Trigger assy	1
22	P223	O-ring	1
23	703A32	Trigger sleeve	1
24	530A38	Trigger	1
25	703A11	Handle	1
26	700-247	Power cylinder	1
27	P833	O-ring	2
28	P739	Back-up ring	1
29	P830	O-ring	1
30	700-248	Power piston rod	1
31	P727	O-ring	1
32	P838	O-ring	2
33	P115	Back-up ring	2
34	700B93	Packing plug	1
35	P731	Back-up ring	2
36	P730	Quad ring	1
37	700B6	Air piston	1
38	P737	Locknut	1
39	P725	O-ring	1
40	700B4	Handle base	1
41	P735	Retaining ring	1
42	700D107	Base cover	1
43	P736	Retaining ring	1
44	P653	O-ring	4
45	700B96	Valve sleeve	1
46	700A67	Spring	1
47	P829	O-ring	3
48	700A94	Spool Valve Assy.	1
49	700B95	Valve spool	1
50	700A18	Filter	1
51	700A69	Metering screw	1
52	P834	O-ring	2
53	700A16	Valve plug mold	1
54	700A17	Muffler	1
55	P279	Retaining ring	1



PRIMING THE HYDRAULIC SYSTEM



RECOMMENDED HYDRAULIC FLUID

The riveter is supplied with **Dexron® III ATF type "A"**.

<i>Specific gravity:</i>	0.863
<i>Weight per gallon:</i>	7.18 lbs.
<i>Open flash point:</i>	>200°C (392°F)

COMPATIBLE ALTERNATE FLUIDS

- **Automatic Transmission Fluids:** DEXRON IV, MERCON, Allison C4 or equivalent.
- **Hydraulic Fluids:** Hyspin® VG32, Aeroshell fluid 4

⚠ CAUTION ⚠

- **DO NOT MIX DIFFERENT TYPES OF HYDRAULIC OILS AND TRANSMISSION; HYDRAULIC AND TRANSMISSION FLUIDS ARE NOT COMPATIBLE DIFFERENT TYPES OF FLUIDS MAY NOT BE COMPATIBLE WITH EACH OTHER.**
- **PHYSICAL PROPERTIES AND MATERIAL SAFETY DATA SHEETS FOR DIFFERENT FLUIDS MAY DIFFER FROM THE ONE GIVEN BELOW, BUT THE SAFETY INFORMATION STILL APPLIES; CHECK WITH THE FLUID MANUFACTURER FOR ADDITIONAL MSDS AND SPECIFIC PROPERTIES.**

FLUID HANDLING SAFETY

<p>ENVIRONMENTAL</p>		<ul style="list-style-type: none"> • Waste Disposal in accordance with the applicable regulations
		<ul style="list-style-type: none"> • Soak up spills with diatomaceous earth or other inert materials. • Keep from drains, sewers and water courses. • Filter and recycle used fluid; otherwise store and dispose of according to the applicable regulations.
<p>HANDLING</p>	<p>Approved Personal Protective Equipment must be worn</p>	<ul style="list-style-type: none"> • Eye protection is required. • Protective gloves, chemically resistant boots and apron are recommended.
<p>FIRST AID</p>		<ul style="list-style-type: none"> • Flush eyes thoroughly with water. • If irritation develops, consult a physician.
		<ul style="list-style-type: none"> • To prevent inhalation, use in well-ventilated area. • Short term exposure should pose no adverse health effects. • If inhalation occurs, remove the affected person from the contaminated area and apply artificial respiration if needed.
		<ul style="list-style-type: none"> • DO NOT INDUCE VOMITING. • Seek medical attention immediately.
		<p>In case of skin contamination:</p> <ul style="list-style-type: none"> • Wash thoroughly with soap and water as soon as possible. • Brief skin contact requires no immediate attention. • If irritation develops, consult a physician.
<p>COMBUSTIBILITY</p>		<ul style="list-style-type: none"> • It is slightly combustible when heated above flash point. • It will release flammable vapors which can burn in open or be explosive in confined spaces if exposed to source of ignition. • Do not store near open flames or other sources of ignition.
		<ul style="list-style-type: none"> • In case of fire, use only suitable extinguishing media: CO₂, dry powder, foam or water fog. • CAUTION: DO NOT USE WATER JETS.

PRIMING THE TOOL

After service, the riveter must be primed with hydraulic fluid before re-assembling the head cylinder.

What is needed: 1/8" and 9/64" Hex Keys; 700A77 Bleed Bottle

Before priming, push power piston (30) all the way down.

- Fill the handle subassembly (20) with hydraulic fluid to about 1/8" below the top.
- Make sure that the O-Ring (17) and Gasket (18) are in place and assemble the Head Cylinder (1) by tightening the cap screws (19) evenly, one at a time.
- Bleed the system per instructions below.



BLEEDING INSTRUCTIONS

This operation should be done when priming a serviced tool and as part of regular tool maintenance in order to replenish the hydraulic fluid and remove the air bubbles from the hydraulic fluid.

What is needed: a 1/8" Hex Key; 700A77 Bleed Bottle

- Remove the side Screw (10) and attach the Bleeder Bottle 700A77 upside down (see on the right).
- Cycle several times, changing the position of the tool every few cycles; make sure the empty part of the bleed bottle is always the highest part of the tool; note if there are air bubbles coming through the bleed bottle. Continue cycling the tool until no more air bubbles are released into the bottle.
- When done, re-assemble the Screw (10) and Stat-O-Seal (9)

TROUBLESHOOTING GUIDE

PROBLEM	POSSIBLE CAUSE	LIKELY SOLUTION
Piston (7) does not move after depressing Trigger	<ol style="list-style-type: none"> 1. No air supply is connected 2. Faulty trigger (21) 3. Faulty power piston(28-30) 4. Valve Spring (46) not correctly installed 	<ol style="list-style-type: none"> 1. Make sure the riveter is connected to an air source. 2. Remove and replace trigger assembly. 3. Service the Handle Subassembly (20). 4. Service the Air Valve; make sure the Spring is properly engaged in its groove
Short piston stroke or low pulling force	Air bubbles in the hydraulic fluid	Bleed per instructions above
Head piston (7) is slow or it seizes	<ol style="list-style-type: none"> 1. Possible Head Cylinder (1) damage. 2. Dirty/Clogged air muffler (54) 	<ol style="list-style-type: none"> 1. Service the Head Cylinder 2. Clean muffler thoroughly with solvent and back-blow with compressed air; replace if necessary.
Fluid leakage at the Head Cylinder (1)	<ol style="list-style-type: none"> 1. Leaks around the gasket (18) 2. Leaks at the front or back of head cylinder (1) 	<ol style="list-style-type: none"> 1. Tighten screws (19) until no more leaks are observed; if it still leaks, the gasket and O-Ring (17, 18) must be replaced. 2. Replace O-Rings (3) and Backup ring (4)
Fluid leakage at the side hole of the handle	Worn Packing Plug Seals (32,33)	Service Handle (20)
Air leakage at the air valve	<ol style="list-style-type: none"> 1. Broken or dislodged valve spring (46) 2. Worn or damaged Valve Spool seals (47,52) 	Service the Air valve (44 through 55)
Slow / Sluggish cycle	Muffler(54) or Spool (48) are clogged up	Service the Air valve (44 through 55)



Declaration of Conformity

We, **Cherry Aerospace**

Located at **1224 East Warner Avenue, Santa Ana, CA 92705-0157, USA,**

In accordance with the provisions of

Machine Directive 2006/42/EC

Hereby declare under our sole responsibility that:


Equipment: **Pneumatic Hydraulic Hand Riveter**

Model Number: G746A

Serial Number: _____ Date: _____

Is in conformity with the applicable requirements of the following standards:

- EN ISO 12100:2010 Safety of Machinery; General Principles; Risk Assessment and Reduction
- ISO/TR 14121-1&2:2007 Safety of Machinery, Risk assessment
- EN 792-1:2000 + A1:2008 Safety requirements; Assembly power tools for non-threaded mechanical fasteners
- ISO 8662-11 Hand-held portable power tools -- Measurement of vibrations at the handle
- ISO 3744 Acoustics – Determination of sound power levels of noise sources
- ISO 4413:2010. Hydraulic fluid power - General Rules of safety
- ISO 4414:2010. Pneumatic fluid power - General Rules of safety

Signed by: 

Cris Cobzaru,
Sr. Technical Services / Installation Tooling Engineer
Master of Science in Mechanical Engineering

