

# H83HL-6MB

## PULLING HEAD FOR -6 DIA 130° MAXIBOLT™ TITANIUM FLUSH HEAD

Technical Data Sheet, Page 1 of 2

### DIMENSIONAL DATA

(all measurements in Inches, see figure 1)

- Tool Weight (without riveter): .33 Lbs (.150 Kg).

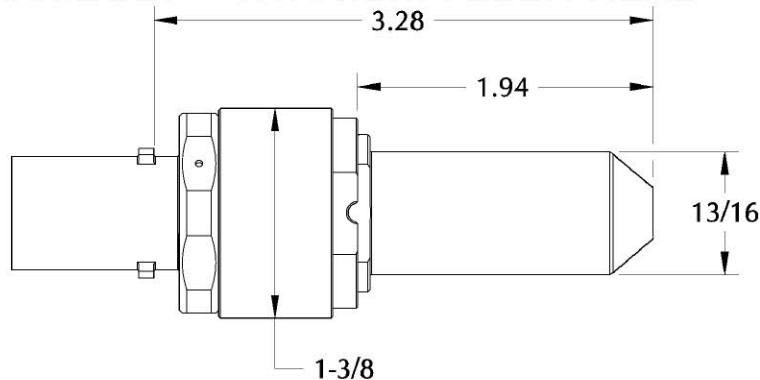


Figure 1

### CHOICE OF RIVETERS

- **G83 or G84 Cherry® Riveters**
- May be used with **G84-LS Cherry®** split riveters; use with adaptor 744-700.

### MOUNTING INSTRUCTIONS

- Attach riveter to air source for correct piston positioning; on the hand riveters, make sure that the pressure has been released and that the correct adaptors are used.
- Push against the riveter piston and thread collet assembly onto the piston.
- Snap sleeve assembly onto riveter bayonet mount.

### USAGE

- This tool was designed to install -6 Diameter 130° Titanium Maxibolt™ flush head fasteners (CR7774S-06).

### BEFORE USE, MAKE SURE THAT:

- The correct pulling head is used and is properly mounted on the recommended riveter.
- Proper air source is connected (see riveter specification for recommended pressure).
- Make sure that the tool is clean and in good working condition
- Make sure that the nut is snug against the Polyurethane Spring (item 11); do not over-tighten.

### DURING OPERATION

- Inspect the active area of the nosepiece regularly.
- Keep the tool clean, especially the nosepiece and jaws; pay special attention when sealants are used.
- If stem slippage occurs, the Jaws need to be either cleaned or replaced.

### PREVENTATIVE MAINTENANCE

- Clean the Insert, jaws and jaw cavity every 1,000 installations, or whenever failures occurs.
- Lubricate outside configuration of the jaws with Lubriplate® or similar light lubricant.
- Inspect regularly and keep the active area clean and in good working condition.
- Replace worn or broken components.

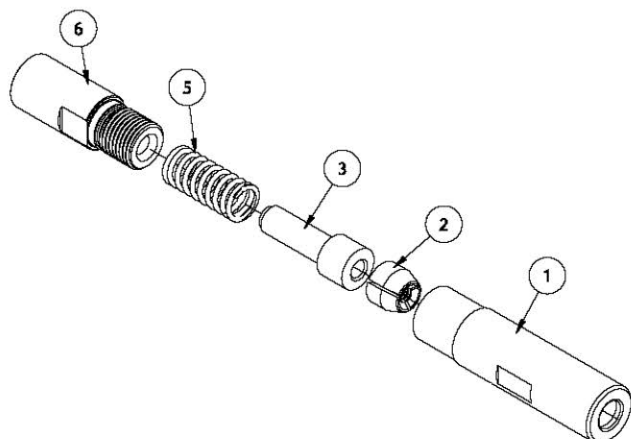
### ASSEMBLY / DISASSEMBLY PROCEDURE

**Caution: Use Loctite® 242 on the threaded elements**

#### Collet Assembly

Grease the tapered area of the Jaws with Lubriplate®.

Assemble as shown in the exploded view; make sure the jaws (2) are properly aligned.



USATCO U.S. Air Tool Company, Inc.

Eastern Division .....60 Fleetwood Ct., Ronkonkoma, NY 11779-6907 tel: (631) 471-3300 fax: (631) 471-3308

Western Division .....1219 W. Mahalo Place, Rancho Dominguez, CA 90220-5446 tel: (310) 632-5400 fax: (310) 632-3900

**Info@usatco.com**

# H83HL-6MB

## PULLING HEAD FOR -6 DIA 130° MAXIBOLT™ TITANIUM FLUSH HEAD

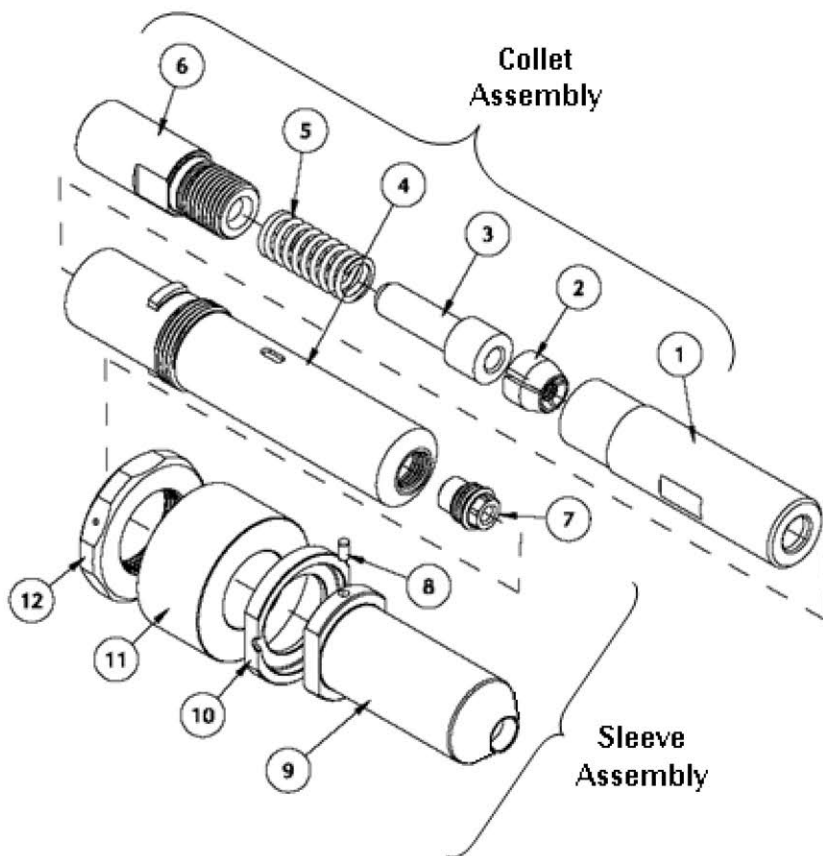
Technical Data Sheet, Page 2 of 2

### Sleeve Assembly

- Thread nosepiece (7) into sleeve (4).
  - Thread load adjustment nut (12) over sleeve (4) as far as it goes.
  - Push the polyurethane spring (item 11), retainer washer (item 10) and preload sleeve (item 9) onto the sleeve.
  - Insert the collet assembly into the sleeve. Align retainer washer, sleeve and preload sleeve slots and press the dowel pin (8) to the collet inside; do not force. Rotate the retainer washer out of alignment, to prevent the dowel pin from disengaging during use.
- To disassemble remove the collet from inside and carefully press the dowel pin towards the center to remove it.

### Preload Adjustment

- Thread the load adjustment nut (12) hand tight against the polyurethane spring (11) with the help of a wrench;
- To increase the pre-load, tighten the nut (12) against the polyurethane spring (11).
- Caution: if not properly tightened, the preload element will lose its effectiveness!



### PARTS LIST

12	652-074	LOAD ADJUSTMENT JUT	1
11	P-1438	POLYURETHANE SPRING	1
10	652-075	RETAINER WASHER	1
9	652-077	PRELOAD SLEEVE (H83HL-6MB)	1
8	P-1440	DOWEL PIN	1
7	652-072	NOSE PIECE, -6MB	1
6	652-069	DRAWBOLT ADAPTOR	2
5	P-1425	SPRING, COMPRESSION	1
4	652-070	SLEEVE, H83HL & H84HL	1
3	652-031	JAW FOLLOWER	1
2	744C76	JAWS, -6MB	1
1	652-030	COLLET	1
ITEM NUMBER	PART NUMBER	DESCRIPTION	QTY. PER ASSY.

### GENERAL / TECHNICAL QUESTIONS

1224 E. Warner Avenue  
 Santa Ana, CA 92705 USA  
 1-714-850-6022 (Phone)  
 1-714-850-6093 (Fax)

LOCTITE® is a registered trademark of Henkel Corporation.  
 LUBRIPLATE® is a registered trademark of Fiske Brothers Refining Co.

### WARRANTY

Seller warrants the goods conform to applicable specifications and drawings and will be manufactured and inspected according to generally accepted practices of companies manufacturing industrial or aerospace fasteners. In the event of any breach of the foregoing warranty, Buyer's sole remedy shall be to return defective goods (after receiving authorization from Seller) for replacement or refund of the purchase price, at the Seller's option. Seller agrees to any freight costs in connection with the return of any defective goods, but any costs relating to removal of the defective or nonconforming goods or installation of replacement goods shall be Buyer's responsibility. SELLER'S WARRANTY DOES NOT APPLY IN LIEU OF ANY PHYSICAL OR CHEMICAL CHANGE IN THE FORM OF THE PRODUCT IS MADE BY BUYER. THE FOREGOING EXPRESS WARRANTY AND REMEDY ARE EXCLUSIVE AND ARE IN LIEU OF ALL OTHER WARRANTIES AND REMEDIES; ANY IMPLIED WARRANTY AS TO QUALITY, FITNESS FOR PURPOSE, OR MERCHANTABILITY IS HEREBY SPECIFICALLY DISCLAIMED AND EXCLUDED BY SELLER. This warranty is void if seller is not notified in writing of any rejection of the goods within ninety (90) days after receipt of the goods by buyer.

Seller shall not be liable under any circumstances for incidental, special or consequential damages arising in whole or in part from any breach by Seller, AND SUCH INCIDENTAL, SPECIAL, OR CONSEQUENTIAL DAMAGES ARE HEREBY EXPRESSLY EXCLUDED.

Our policy is one of continuous development. Specifications shown in this document may be subject to changes introduced after publication.

NOTE: The properties, strength, dimensions, installed characteristics and all other information in these materials are for guidance only to aid in the correct selection of the products described herein and is not intended or implied as part of the above warranty. All applications should be evaluated for functional stability and available samples of the described parts can be requested for installed tests, suitability and evaluations.

For more information please contact our Technical Services Department at tel. 714-850-6022

USATCO U.S. Air Tool Company, Inc.

Eastern Division .....60 Fleetwood Ct., Ronkonkoma, NY 11779-6907 tel: (631) 471-3300 fax: (631) 471-3308

Western Division .....1219 W. Mahalo Place, Rancho Dominguez, CA 90220-5446 tel: (310) 632-5400 fax: (310) 632-3900

Info@usatco.com