

## 10LF and 12LF Series Right Angle Grinder and Sander



USATCO U.S. Air Tool Company, Inc.

[Info@usatco.com](mailto:Info@usatco.com)

Eastern Division .....60 Fleetwood Ct., Ronkonkoma, NY 11779-6907 tel: (631) 471-3300 fax: (631) 471-3308  
Western Division .....1219 W. Mahalo Place, Rancho Dominguez, CA 90220-5446 tel: (310) 632-5400 fax: (310) 632-3900

**Dotco®**  
Nomenclature

<b>XX</b>	<b>L</b>	<b>F</b>	<b>2</b>	<b>XX</b>	<b>-</b>	<b>XX</b>	<b>XX</b>	<b>XX</b>
-----------	----------	----------	----------	-----------	----------	-----------	-----------	-----------

Tool Series

- 10** = Aluminum Housing
- 12** = Ergo Housing

Throttle Type

- L** = Locking Lever

Motor Size

- F** = 0.4 hp

Handle Style

- 2** = Right Angle

Speed Options (RPM)

- |                      |                     |
|----------------------|---------------------|
| <b>Front Exhaust</b> | <b>Rear Exhaust</b> |
| <b>00</b> = 12,000   | <b>80</b> = 12,000  |
| <b>01</b> = 20,000   | <b>81</b> = 20,000  |

Primary Termination Code

- 32** = 1/4-28 Threaded Spindle
- 36** = 300 Series 1/4" Capacity Collet (3 piece)

Extended Termination Code

- B1** = Belt Sander (1/4" x 12")
- B2** = Belt Sander (1/2" x 12")
- B3** = Belt Sander (1/2" x 24")
- B4** = Belt Sander (1" x 12")
- B5** = Belt Sander (1" x 24")

Options

**Optional Collets**

USATCO U.S. Air Tool Company, Inc.

**Info@usatco.com**

Eastern Division .....60 Fleetwood Ct., Ronkonkoma, NY 11779-6907 tel: (631) 471-3300 fax: (631) 471-3308

Western Division .....1219 W. Mahalo Place, Rancho Dominguez, CA 90220-5446 tel: (310) 632-5400 fax: (310) 632-3900

The original language of this manual is English.

**Product Safety Information:**

Intended Use:

This pneumatic material removal tool is to be used only for removing material by utilizing appropriate abrasive wheels, rotary files or other material removal cutting devices.

For product safety information and requirements for grinding without a wheel guard refer to Apex Tool Group, LLC or Apex Tool Group GmbH & Co. OHG documents:

- GS-2007, General Safety Pneumatic Grinders
- CE-2012, General Safety Sanders

**⚠ WARNING**

This product must not be modified in any manner unless approved in writing by Apex Tool Group, LLC or Apex Tool Group GmbH & Co. OHG. All safety devices must be properly installed and maintained in good working order.

**EC Declaration of Conformity:**

We affirm that this machine is in accordance with the following EC regulations (2006/42/EC). Applied harmonized standards are ISO 12100:2010-11.

The name, job function and address of the person authorized to compile the technical file.

Mr. Vishnu Irigireddy  
Director of Global R&D- Mechanical Engineering  
Apex Tool Group  
670 Industrial Drive  
Lexington, SC 29072

*I. V. Vishnu Varadhan*

Signature: Vishnu Irigireddy  
Date: December 17, 2015

**Noise and Vibration:**

- 10LF Series Noise Level: ≤ 85 dB(A)
- 12LF Series Noise Level: ≤ 85 dB(A)
- 10LF Series Vibration Level: < 2.5 m/s<sup>2</sup>
- 12LF Series Vibration Level: < 2.5 m/s<sup>2</sup>

**Air Line Lubrication:**

Use Apex Tool Group, LLC or Apex Tool Group GmbH & Co. OHG's lightweight air tool oil 500021 (available in quantities shown in the following chart) or an SAE-5 lightweight spindle oil.

Part No.	Packaged	Designation
540397	1 Quart (0.94 liter)	Airlube 10W/NR-420LB DR
533485	1 US Gallon (3.78 liter)	Airlube 10W/NR-420LB DR

**Grease:**

Part No.	Packaged	Designation
45-0980	2 oz. (0.06 kg)	Angle Head: Moly-XL SAE 250
540395	2 oz. (0.06 kg)	Planetary: Magnalube-G
513156	16 oz. (0.45 kg)	Planetary: Magnalube-G

**Air Supply Line:**

Parameter	Description
Air Hose	Minimum inside diameter: 1/4" (6,4 mm) Maximum length: 8.0' (2,4 m)
Air Pressure	Recommended: 90 psi (620 kPa)
Compressed air	Air quality according to ISO 8573-1, quality class 2.4.3 The compressed air must be clean and dry.

**Service and Repair:**

Tool service and repair should be performed by an authorized Apex Tool Group, LLC or Apex Tool Group GmbH & Co. OHG Center. Refer to the last page of this manual for locations.

**Disposal:**



Observe local disposal guidelines for all components of this tool and its packaging.

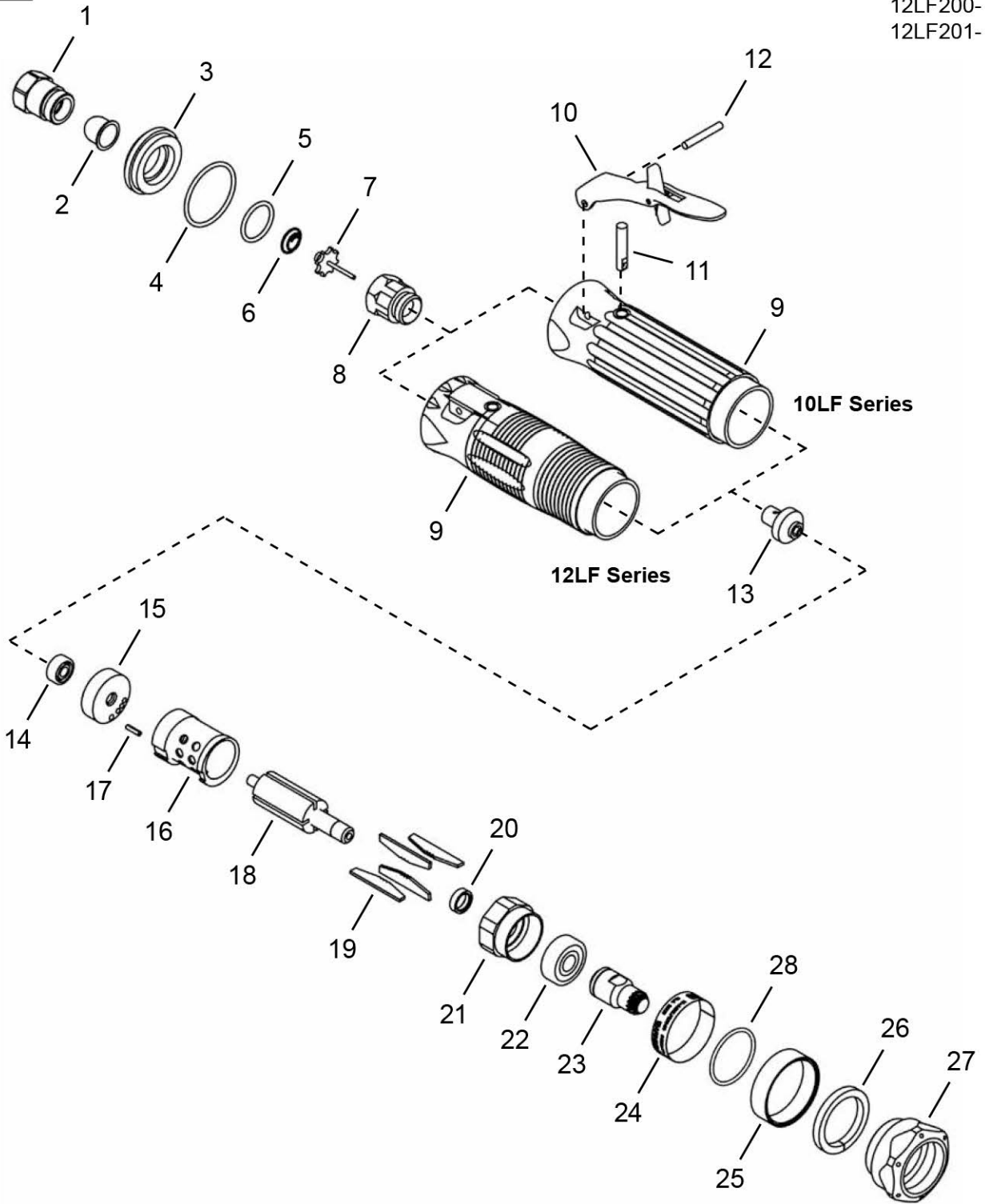
**Copyright Protection:**

Apex Tool Group, LLC or Apex Tool Group GmbH & Co. OHG reserves the right to modify, supplement or improve this document or the product without prior notice. This document may not be reproduced in any way, shape or form, in full or parts thereof, or copied to another natural or machine readable language or to a data carrier, whether electronic, mechanical, optical or otherwise without the express permission of Apex Tool Group, LLC or Apex Tool Group GmbH & Co. OHG

**“A”**

**Models**

- 10LF200-
- 10LF201-
- 12LF200-
- 12LF201-



**Illustration "A": Front Exhaust Models**

Ref	Number	#	X	EN
				Description
1	01-2505	1	2	Inlet Adapter
2	203480PT	1	3	Filter
3	01-2506	1		Exhaust Plug
4	3036PT	1	3	O-Ring
5	2965	1	3	O-Ring
6	01-2519	1	3	Spring
7	01-2518	1		Poppet Valve
8	01-2504	1		Valve Seat
9	Table "A"	1		Housing
10	01-1267	1	2	Lockoff Lever Assembly
11	01-1017	1	2	Shaft
12	1042	1	2	Pin
13	03-1100	1		Governor Valve
14	1009879	1	2	Ball Bearing
15	1110072	1		Rear End Plate
16	1017579	1		Cylinder (includes Ref. 17)
17	1017422	1	3	Cylinder Pin
18	03-1005	1		Rotor
19	1008914	4	12	Rotor Blade
20	1017PT	1		Spacer
21	03-1064	1		Front End Plate
22	03-1111	1	2	Ball Bearing
23	Table "A"	1	1	Gear Set
24	03-1086	1		Label
25	03-1087	1		Label Cover
26	03-1113	1	3	Muffler Element
27	03-1043	1		Lock Ring
28	93040050	1	3	O-Ring

(#) Quantity

(X) Recommended Spare Parts (quantity shown based on 1-5 tools in operation)

**Table "A"**

Ref.	Description	#	10LF200-	#	12LF200-	#	10LF201-	#	12LF201-
9	Housing	1	03-1107	1	03-1112	1	03-1107	1	03-1112
23	Gear Set	1	03-1115	1	03-1115	1	03-1116	1	03-1116

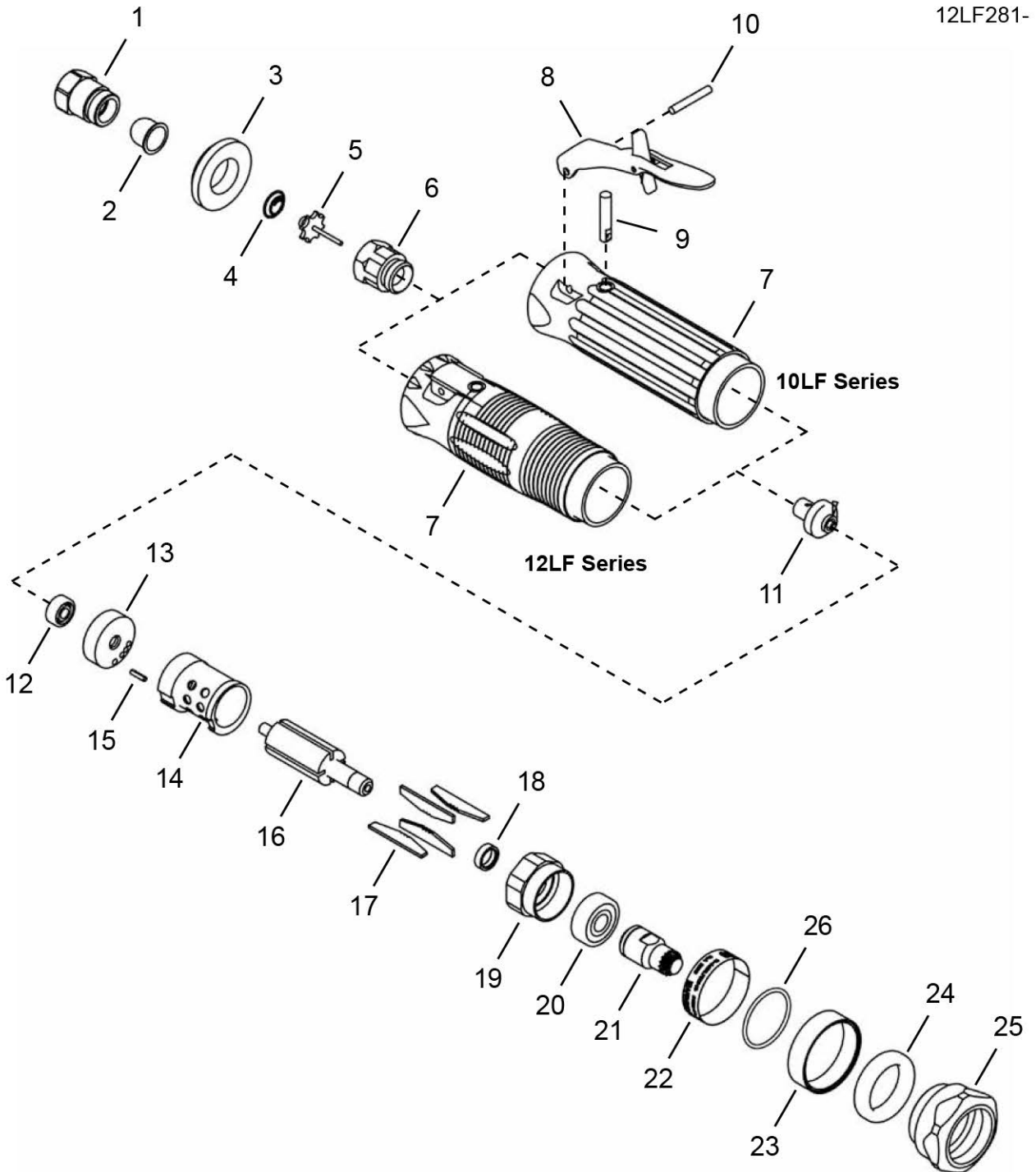
# Dotco®

Rear Exhaust Models

**"B"**

**Models**

- 10LF280-
- 10LF281-
- 12LF280-
- 12LF281-



**Illustration "B": Rear Exhaust Models**

Ref	Number	#	X	EN
				Description
1	01-2505	1	2	Inlet Adapter
2	203480PT	1	3	Filter
3	01-2520	1		Diffuser
4	01-2519	1	3	Spring
5	01-2518	1		Poppet Valve
6	01-2504	1		Valve Seat
7	Table "B"	1		Housing
8	01-1267	1	2	Lockoff Lever Assembly
9	01-1017	1	2	Shaft
10	1042	1	2	Pin
11	03-1100	1		Governor Valve
12	1009879	1	2	Ball Bearing
13	1110072	1		Rear End Plate
14	1017579	1		Cylinder (includes Ref. 15)
15	1017422	1	3	Cylinder Pin
16	03-1005	1		Rotor
17	1008914	4	12	Rotor Blade
18	1017PT	1		Spacer
19	03-1064	1		Front End Plate
20	03-1111	1	2	Ball Bearing
21	Table "B"	1	1	Gear Set
22	03-1086	1		Label
23	03-1087	1		Label Cover
24	01-1025	1	3	Seal
25	03-1044	1		Lock Ring
26	93040050	1	3	O-Ring

(#) Quantity

(X) Recommended Spare Parts (quantity shown based on 1-5 tools in operation)

**Table "B"**

Ref.	Description	#	10LF280-	#	12LF280-	#	10LF281-	#	12LF281-
7	Housing	1	03-1107	1	03-1112	1	03-1107	1	03-1112
21	Gear Set	1	03-1115	1	03-1115	1	03-1116	1	03-1116

USATCO U.S. Air Tool Company, Inc.

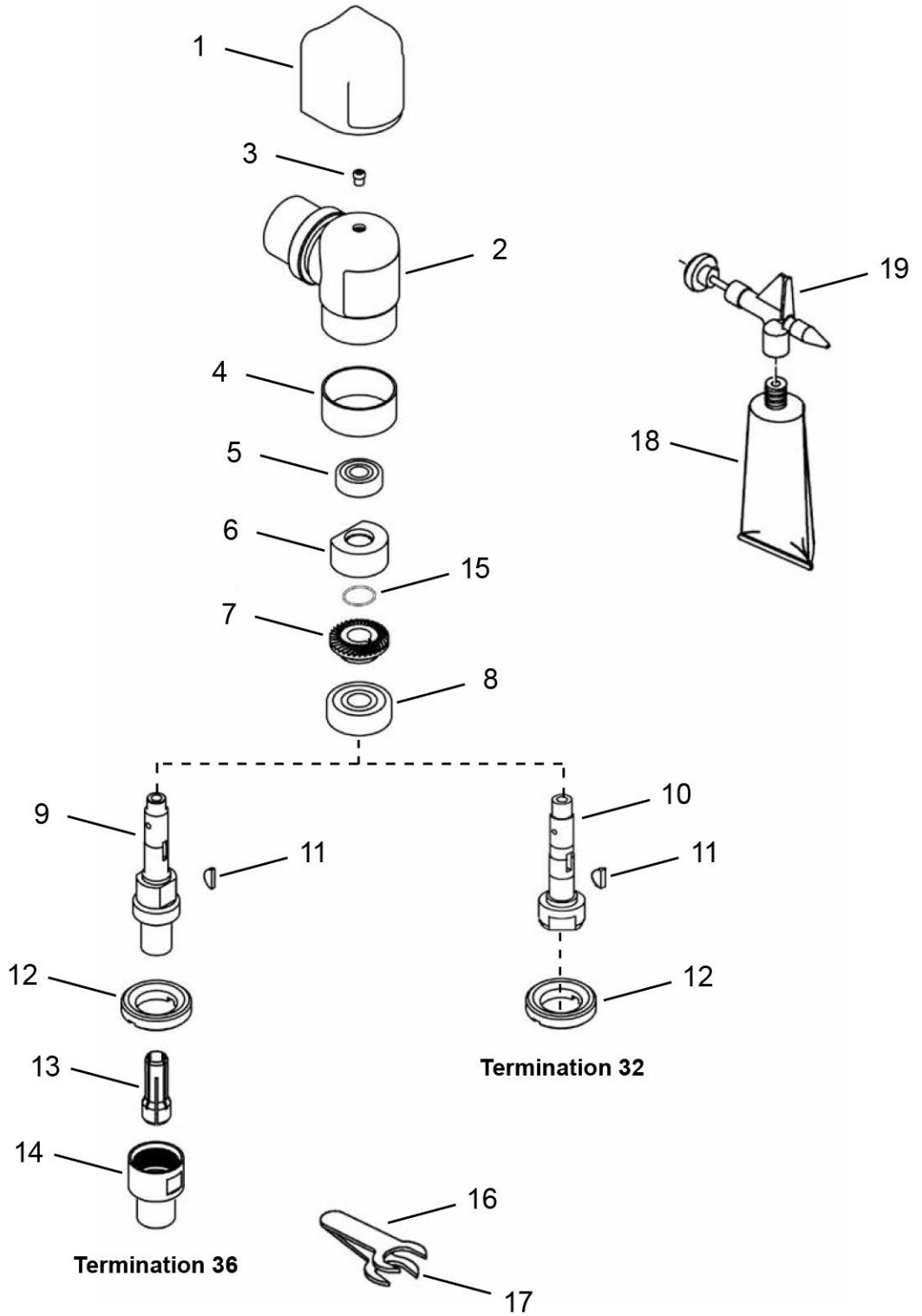
**Info@usatco.com**

Eastern Division .....60 Fleetwood Ct., Ronkonkoma, NY 11779-6907 tel: (631) 471-3300 fax: (631) 471-3308

Western Division .....1219 W. Mahalo Place, Rancho Dominguez, CA 90220-5446 tel: (310) 632-5400 fax: (310) 632-3900

# Dotco® Angle Attachment

“C”





**Illustration "C": Angle Attachment**

Ref	Number	#	X	EN
				Description
1	01-1048	1	2	Angle Head Cover
2	1024PT	1		Angle Head Housing (includes Ref. 3-4)
3	1463PT	1	2	Grease Fitting
4	1356PT	1		Wear Ring
5	504PT	1	3	Ball Bearing
6	1755PT	1	3	Lubricator Disc
7	Table "C"	1	1	Gear Set
8	03-1111	1	2	Ball Bearing
9	1029PT	1		Spindle (Termination -36)
10	1069	1		Spindle (Termination -32)
11	1062PT	1	3	Key
12	1025PT	1		Lock Ring
13	Table "C1"	1	3	300 Series Collet
14	208196PT	1	3	Nosepiece Cap
15	2053PT	1	3	O-Ring
16	14-0807	1		7/16" Wrench
17	14-0811	1		11/16" Wrench (Termination -36)
18	45-0980	1	2	Gear Lube (2 oz.)
19	45-1982	1		Grease Gun

(#) Quantity

(X) Recommended Spare Parts (quantity shown based on 1-5 tools in operation)

**Table "C"**

Ref.	Description	#	10LF200- 12LF200- 10LF280- 12LF280-	#	10LF201- 12LF201- 10LF281- 12LF281-
7	Gear Set	1	03-1115	1	03-1116

**Table "C1"**

300 Series Optional Collets					
Part No.	Arbor Size	Part No.	Arbor Size	Part No.	Arbor Size
301PT	3/64"	305PT	5/32"	310PT	6mm
302PT	5/64"	306PT	3/16"		
303	3/32"	308PT *	1/4"		
304PT	1/8"	311	3mm		

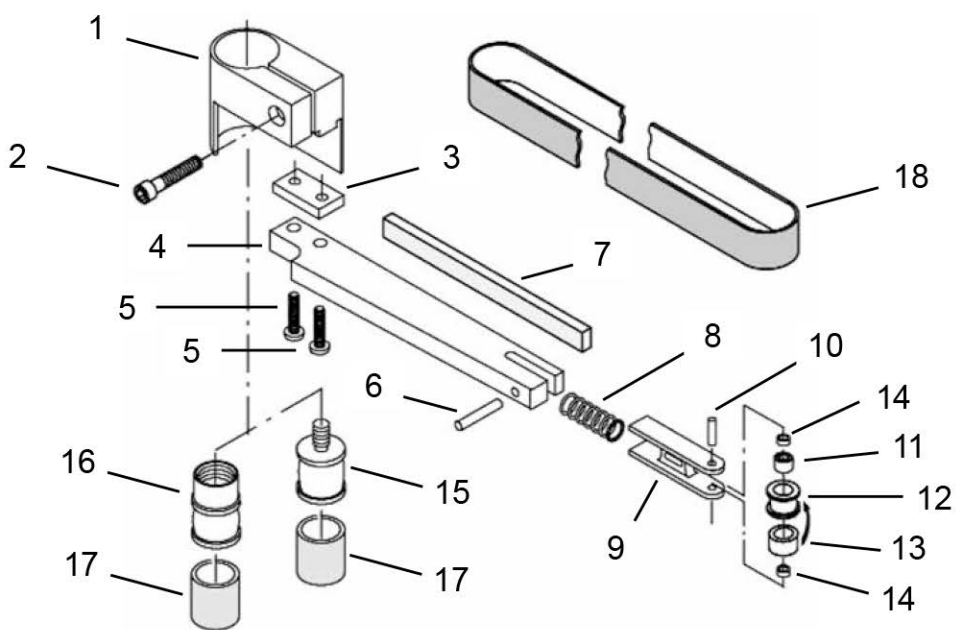
\* Standard Collet

USATCO U.S. Air Tool Company, Inc.

Eastern Division .....60 Fleetwood Ct., Ronkonkoma, NY 11779-6907 tel: (631) 471-3300 fax: (631) 471-3308  
Western Division .....1219 W. Mahalo Place, Rancho Dominguez, CA 90220-5446 tel: (310) 632-5400 fax: (310) 632-3900

**Info@usatco.com**

**“D”** Termination -B1 (1/4” x 12” Belt Sander)



**Dotco®**  
Extended Terminations

**45-8452EN**  
12/28/2015

**Illustration "D" - Belt Sander Termination B1**

Ref	Number	#	X	EN
				Description
--	14-1638S	1		Belt Sander Assembly (includes Ref. 1-14)
1	14-1297	1		Guard
2	2826PT	1	1	Screw
3	14-1619	1		Spacer
4	14-1597	1		Boom
5	1900PT	2	4	Screw
6	1833PT	1		Pin
7	14-1343	1	1	Cushioned Platen
8	1904PT	1	2	Yoke Spring
9	14-1617	1		Yoke
10	1831PT	1	1	Yoke Pin
--	14-1602	1	1	Wheel Assembly (includes Ref. 11-13)
11	564PT	1	2	Ball Bearing
12	14-1604	1	1	Wheel (includes Ref. 13)
13	14-1616	1	3	Tire
14	14-1618	2		Spacer
15	14-1308	1	1	Drive Wheel (32B1 Termination) (includes Ref. 17)
16	14-1309	1	1	Drive Wheel (36B1 Termination) (includes Ref. 17)
17	14-1304	1	3	Tire
18	14-1591	1	6	Sanding Belt (80 Grit)
	14-1593	1	6	Sanding Belt (120 Grit)

(#) Quantity

(X) Recommended Spare Parts (quantity shown based on 1-5 tools in operation)

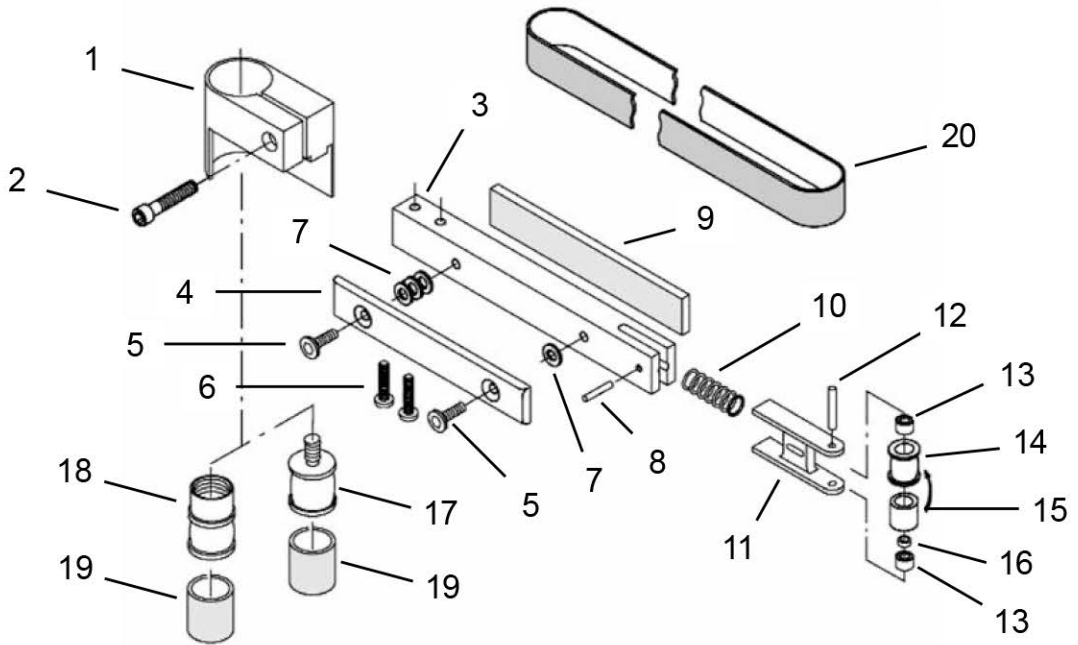
USATCO U.S. Air Tool Company, Inc.

**Info@usatco.com**

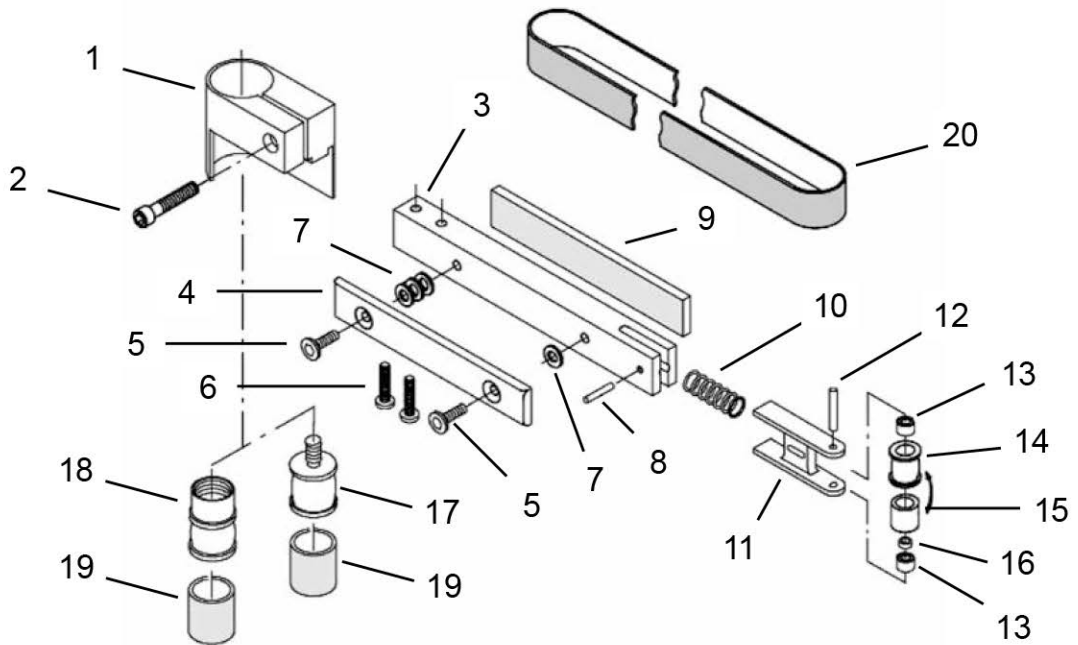
Eastern Division .....60 Fleetwood Ct., Ronkonkoma, NY 11779-6907 tel: (631) 471-3300 fax: (631) 471-3308

Western Division .....1219 W. Mahalo Place, Rancho Dominguez, CA 90220-5446 tel: (310) 632-5400 fax: (310) 632-3900

**“E” Termination -B2 (1/2” x 12” Belt Sander)**



**“F” Termination -B3 (1/2” x 24” Belt Sander)**



**Extended Terminations**

**Illustration "E" - Belt Sander Termination B2**

Ref	Number	#	X	EN
				Description
--	14-1301S	1		Belt Sander Assembly (includes Ref. 1-16)
1	14-1297	1		Guard
2	2826PT	1	1	Screw
3	14-1298	1		Boom
4	14-1293	1		Steel Platen
5	1902PT	2	4	Screw
6	1900PT	2	4	Screw
7	1901	4	12	Nylon Washer
8	1833PT	1		Pin
9	14-1338	1	1	Cushioned Platen
10	1904PT	1	2	Yoke Spring
11	14-1296	1		Yoke
12	1903PT	1	1	Yoke Pin
--	14-1311	1	1	Wheel Assembly (includes Ref. 13-16)
13	564PT	2	4	Ball Bearing
14	14-1312	1	1	Wheel (includes Ref. 15)
15	14-1305	1	3	Tire
16	1345PT	1		Spacer
17	14-1308	1	1	Drive Wheel (32B2 Termination) (includes Ref. 19)
18	14-1309	1	1	Drive Wheel (36B2 Termination) (includes Ref. 19)
19	14-1304	1	3	Tire
20	14-1348	1	6	Sanding Belt (80 Grit)
	14-1352	1	6	Sanding Belt (120 Grit)

(#) Quantity

(X) Recommended Spare Parts (quantity shown based on 1-5 tools in operation)

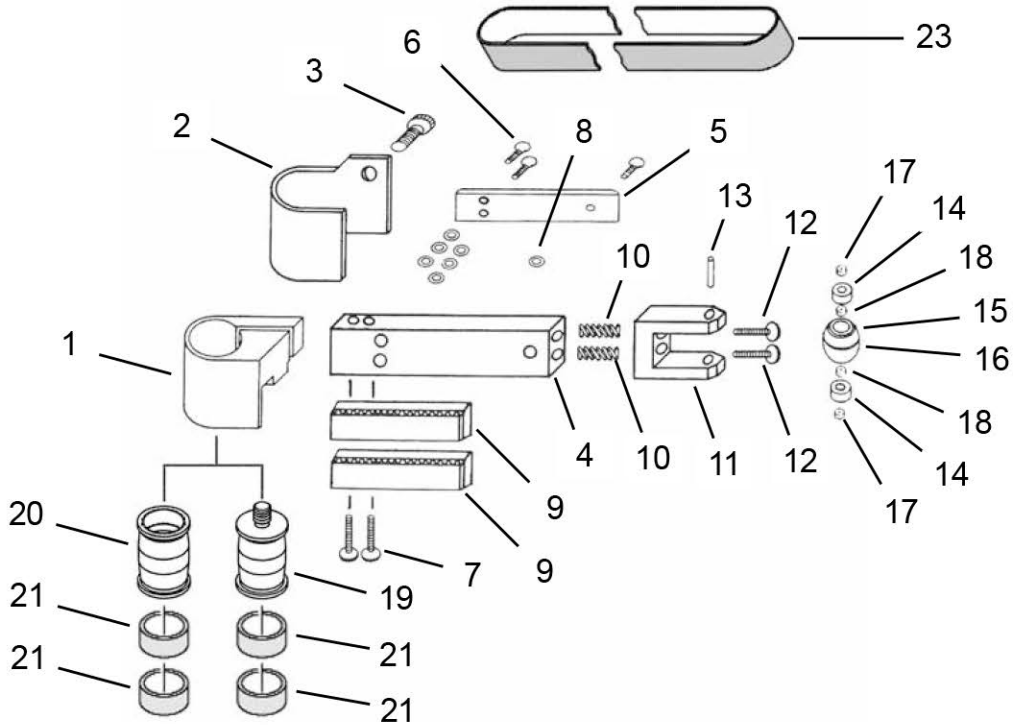
**Illustration "F" - Belt Sander Termination B3**

Ref	Number	#	X	EN
				Description
--	14-1318S	1		Belt Sander Assembly (includes Ref. 1-16)
1	14-1297	1		Guard
2	2826PT	1	1	Screw
3	14-1320	1		Boom
4	14-1314	1		Steel Platen
5	1902PT	2	4	Screw
6	1900PT	2	4	Screw
7	1901	4	12	Nylon Washer
8	1833PT	1		Pin
9	14-1341	1	1	Cushioned Platen
10	1904PT	1	2	Yoke Spring
11	14-1296	1		Yoke
12	1903PT	1	1	Yoke Pin
--	14-1311	1	1	Wheel Assembly (includes Ref. 13-16)
13	564PT	2	4	Ball Bearing
14	14-1312	1	1	Wheel (includes Ref. 15)
15	14-1305	1	3	Tire
16	1345PT	1		Spacer
17	14-1308	1	1	Drive Wheel (32B3 Termination) (includes Ref. 19)
18	14-1309	1	1	Drive Wheel (36B3 Termination) (includes Ref. 19)
19	14-1304	1	3	Tire
20	14-1368	1	6	Sanding Belt (80 Grit)
	14-1372	1	6	Sanding Belt (120 Grit)

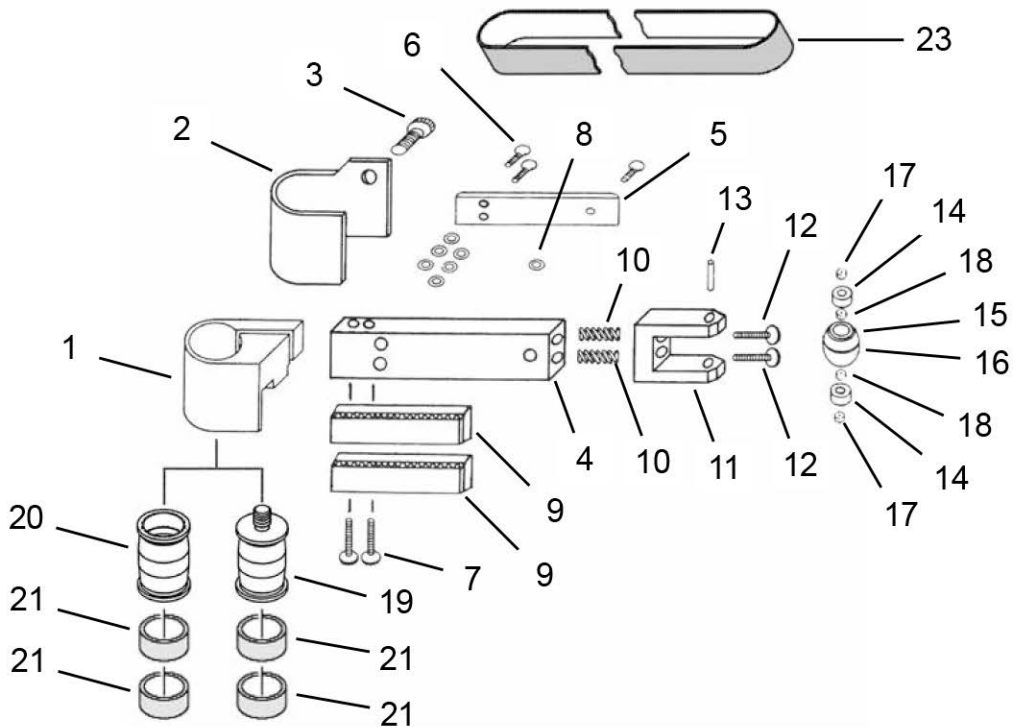
(#) Quantity

(X) Recommended Spare Parts (quantity shown based on 1-5 tools in operation)

**“G”** Termination -B4 (1" x 12" Belt Sander)



**“H”** Termination -B5 (1" x 24" Belt Sander)



**Extended Terminations**

**Illustration "G" - Belt Sander Termination B4**

Ref	Number	#	X	EN
				Description
--	14-1463	1		Belt Sander Assembly (32B4 Termination) (includes Ref. 1-22)
--	14-1473	1		Belt Sander Assembly (36B4 Termination) (includes Ref. 1-22)
1	14-1356	1		Guard
2	14-1471	1		Guard
3	14-1498	1	1	Screw
4	14-1464	1		Boom
5	14-1466	1		Steel Platen
6	1902PT	3	6	Screw
7	7731	2	4	Screw
8	1901	7	14	Nylon Washer
9	14-1338	2	2	Cushioned Platen
10	14-1478	2	4	Yoke Spring
11	14-1465	1		Yoke
12	2193PT	2	4	Yoke Screw
13	14-3036	1	1	Yoke Pin
--	14-1472	1	1	Wheel Assembly (includes Ref. 14-18)
14	564PT	2	4	Ball Bearing
15	14-1469	1	1	Wheel (includes Ref. 16)
16	14-1305	2	6	Tire
17	14-1467	2		Spacer
18	1345PT	2		Spacer
19	14-1468	1	1	Drive Wheel (32B4 Termination) (includes Ref. 21)
20	14-1470	1	1	Drive Wheel (36B4 Termination) (includes Ref. 21)
21	14-1304	2	6	Tire
22	14-0184PT	1		Wrench (1/8") (not shown)
23	14-1583	1	6	Sanding Belt (80 Grit)
	14-1585	1	6	Sanding Belt (120 Grit)

(#) Quantity

(X) Recommended Spare Parts (quantity shown based on 1-5 tools in operation)

**Illustration "H" - Belt Sander Termination B5**

Ref	Number	#	X	EN
				Description
--	14-1603	1		Belt Sander Assembly (32B5 Termination) (includes Ref. 1-22)
--	14-1613	1		Belt Sander Assembly (36B5 Termination) (includes Ref. 1-22)
1	14-1356	1		Guard
2	14-1471	1		Guard
3	14-1498	1	1	Screw
4	14-1614	1		Boom
5	14-1615	1		Steel Platen
6	1902PT	3	6	Screw
7	7731	2	4	Screw
8	1901	7	14	Nylon Washer
9	14-1341	2	2	Cushioned Platen
10	14-1478	2	4	Yoke Spring
11	14-1465	1		Yoke
12	2193PT	2	4	Yoke Screw
13	14-3036	1	1	Yoke Pin
--	14-1472	1	1	Wheel Assembly (includes Ref. 14-18)
14	564PT	2	4	Ball Bearing
15	14-1469	1	1	Wheel (includes Ref. 16)
16	14-1305	2	6	Tire
17	14-1467	2		Spacer
18	1345PT	2		Spacer
19	14-1468	1	1	Drive Wheel (32B5 Termination) (includes Ref. 21)
20	14-1470	1	1	Drive Wheel (36B5 Termination) (includes Ref. 21)
21	14-1304	2	6	Tire
22	14-0184PT	1		Wrench (1/8") (not shown)
23	14-1643	1	6	Sanding Belt (80 Grit)
	14-1645	1	6	Sanding Belt (120 Grit)

(#) Quantity

(X) Recommended Spare Parts (quantity shown based on 1-5 tools in operation)

# POWER TOOLS SALES & SERVICE CENTERS

Please note that all locations may not service all products.  
Contact the nearest Apex Tool Group Sales & Service Center for the appropriate facility to handle your service requirements.

## NORTH AMERICA | SOUTH AMERICA

### Detroit, Michigan

Apex Tool Group  
2630 Superior Court  
Auburn Hills, MI 48236  
Phone: +1 (248) 393-5640  
Fax: +1 (248) 391-6295

### Lexington, South Carolina

Apex Tool Group  
670 Industrial Drive  
Lexington, SC 29072  
Phone: +1 (800) 845-5629  
Phone: +1 (919) 387-0099  
Fax: +1 (803) 358-7681

### Louisville, Kentucky

Apex Tool Group  
1000 Glengary Drive  
Suite 150  
Fairdale, KY 40118  
Phone: +1 (502) 708-3400  
apexpowertools.com/service

### Canada

Apex Tool Canada, Ltd.  
7631 Bath Road  
Mississauga, Ontario L4T 3T1  
Canada  
Phone: (866) 691-6212  
Fax: (905) 673-4400

### Mexico

Apex Tool Group  
Manufacturing México  
S. de R.L. de C.V.  
Vialidad El Pueblito #103  
Parque Industrial Querétaro  
Querétaro, QRO 76220  
Mexico  
Phone: +52 (442) 211 3800  
Fax: +52 (800) 685 5560

### Brazil

Apex Tool Group  
Ind. Com. Ferram, Ltda.  
Av. Liberdade, 4055  
Zona Industrial Iporanga  
Sorocaba, São Paulo  
CEP# 18087-170  
Brazil  
Phone: +55 15 3238 3820  
Fax: +55 15 3238 3938

## EUROPE | MIDDLE EAST | AFRICA

### England

Apex Tool Group  
GmbH & Co. OHG  
C/O Spline Gauges  
Piccadilly, Tamworth  
Staffordshire B78 2ER  
United Kingdom  
Phone: +44 1827 8727 71  
Fax: +44 1827 8741 28

### France

Apex Tool Group S.A.S.  
25 rue Maurice Chevalier  
B.P. 28  
77831 Ozoir-La-Ferrière  
Cedex, France  
Phone: +33 1 64 43 22 00  
Fax: +33 1 64 43 17 17

### Germany

Apex Tool Group  
GmbH & Co. OHG  
Industriestraße 1  
73463 Westhausen  
Germany  
Phone: +49 (0) 73 63 81 0  
Fax: +49 (0) 73 63 81 222

### Hungary

Apex Tool Group  
Hungária Kft.  
Platánfa u. 2  
9027 Győr  
Hungary  
Phone: +36 96 66 1383  
Fax: +36 96 66 1135

## ASIA PACIFIC

### Australia

Apex Tool Group  
519 Nuringong Street, Albury  
NSW 2640  
Australia  
Phone: +61 2 6058 0300

### China

Apex Power Tool Trading  
(Shanghai) Co., Ltd  
Building A8, No. 38  
Dongsheng Road  
Pudong, Shanghai  
China 201201  
Phone: +86 21 60880320  
Fax: +86 21 60880298

### India

Apex Power Tools India  
Private Limited  
Gala No. 1, Plot No. 5  
S. No. 234, 235 & 245  
Indialand Global  
Industrial Park  
Taluka-Mulsi, Phase I  
Hinjawadi, Pune 411057  
Maharashtra, India  
Phone: +91 020 66761111

### Japan

Apex Tool Group Japan  
Korin-Kaikan 5F,  
3-6-23 Shibakoen, Minato-Ku,  
Tokyo 105-0011, JAPAN  
Phone: +81-3-6450-1840  
Fax: +81-3-6450-1841

### Korea

Apex Tool Group Korea  
#1503, Hibrand Living Bldg.,  
215 Yangjae-dong,  
Seocho-gu, Seoul 137-924,  
Korea  
Phone: +82-2-2155-0250  
Fax: +82-2-2155-0252

**Apex Tool Group, LLC**  
1000 Lufkin Road  
Apex, NC 27539  
Phone: +1 (919) 387-0099  
Fax: +1 (919) 387-2614  
www.apexpowertools.com

