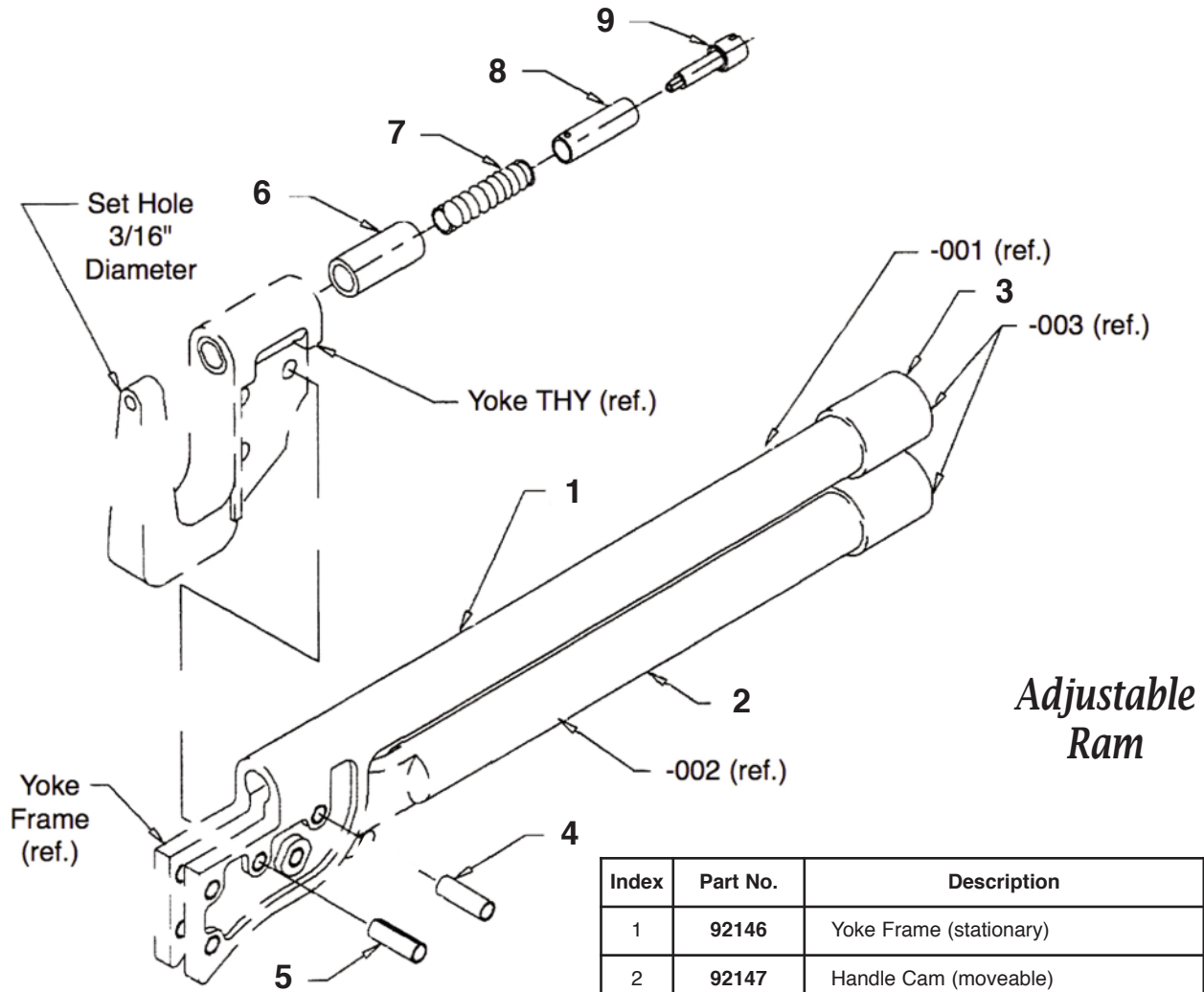




10-THS

Stainless Steel Hand Rivet Squeezer Parts List



*Adjustable
Ram*

Rivet Capacity:
3/32" to 5/32" Aluminum

A portable, rugged solution for light to medium duty squeezing applications. Heat treated on all wear and deflecting components. Takes standard 3/16" rivet sets.

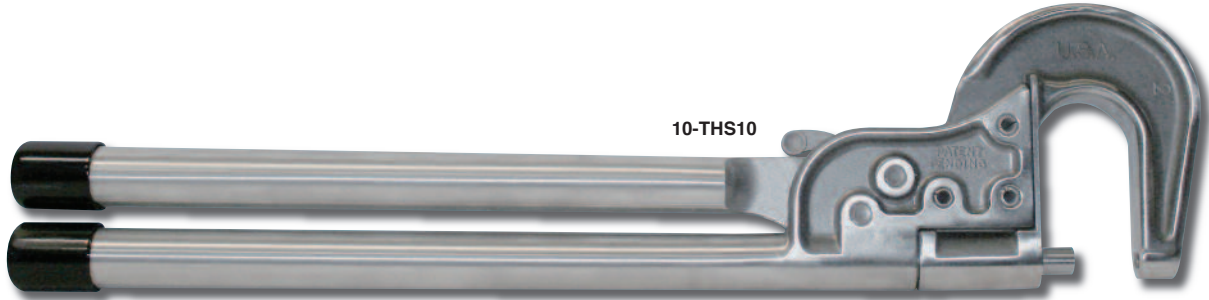
Index	Part No.	Description	Qty.
1	92146	Yoke Frame (stationary)	1
2	92147	Handle Cam (moveable)	1
3	92148	End Caps	2
4	92149	Dowel Pin (1/4"D x 3/4")	2
5	92150	Roll Pin (1/4"D x 3/4")	3
6	92151	Oilite Bushing (1/2"D x 3/4")	1
7	92152	Set Spring (7/16"D x 2-1/8")	1
8	92153	Adjustable Set Holder (11/16" x 1-1/2")	1
9	92154	Set Screw	1

Toll Free Nationwide & Canada: **800-645-8180**

USATCO\U.S. AIR TOOL COMPANY, INC. www.USATCO.COM NEW YORK • CALIFORNIA

Rev0415

10-THS Tools & Accessories



Replacement Tools And Squeezer Kits

Kits include tool, 3 univ. AN470 (3/32", 1/8" & 5/32") & 2 flush sets.

Tool Only	Squeezer Kit	Reach	Gap
10-THS10	53-THS10	1"	1-1/4"
10-THS20	53-THS20	2"	1-1/4"
10-THS22	53-THS22	2"	2"
10-THS30	53-THS30	3"	1-1/4"
10-THS40	53-THS40	4"	1-1/4"
10-THS50	53-THS50	5"	1-1/4"
10-THS60	53-THS60	6"	1-1/4"

Replacement Yokes

Part Number	Reach	Gap
THY10	1"	1-1/4"
THY101	1"	1" Flush
THY15	1-1/2"	1-1/4"
THY20	2"	1-1/4"
THY22	2"	2"
THY25	2-7/8"	1-1/4"
THY30	3"	1-1/4"
THY35	3-1/2"	1-1/4"
THY40	4"	1-1/4"
THY50	5"	1-1/4"
THY60	6"	1-1/4"

Note: Narrow nose yokes also available, please inquire.

Quick Change Yoke Pins

Pull rings allow user to swap out yokes quickly & easily.



Part Number	Description
96394	3 PC Yoke Pin Set

Rivet Squeezer Set Kit

Kit includes 4 Universal AN470 Sets (1/8" body length: 3/32", 1/8", 5/32" & 3/16"), 6 Universal AN470 Sets (1/4" body length: 1/16", 3/32", 1/8", 5/32", 3/16" & 1/4"), 4 Round AN430 Sets (1/16", 3/32", 1/8" & 5/32"), 1 Flat AN442 Set (1/4" body length: 3/32"), 4 Flush Sets with 3/8" Diameter (1 each: 1/8", 1/4", 3/8" & 1/2" body length), 4 Flush Sets with 1/2" Diameter (1 each: 1/8", 1/4", 3/8" & 1/2" body length), Soft Blank Set (1/4" body length), Shim Post Holder, 6 Spacer Shims (2 each: 1/64", 1/32" & 1/16"), Metal Kit Box



Part Number	Description
53-26	31 PC Set Assortment Kit

USATCO U.S. Air Tool Company, Inc.

Eastern Division60 Fleetwood Ct., Ronkonkoma, NY 11779-6907 tel: (631) 471-3300 fax: (631) 471-3308
 Western Division1219 W. Mahalo Place, Rancho Dominguez, CA 90220-5446 tel: (310) 632-5400 fax: (310) 632-3900