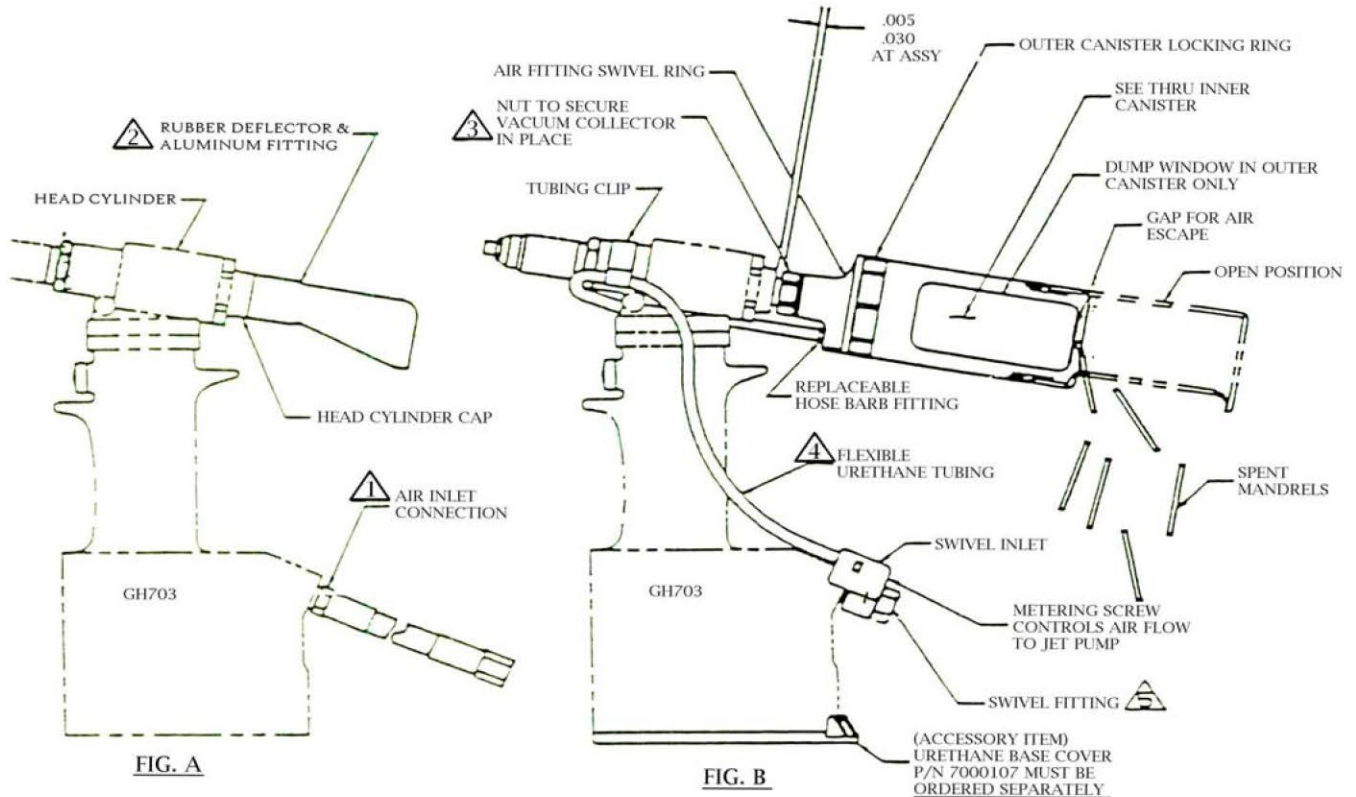




RIVAC™ MODEL 220-03

VACUUM MANDREL COLLECTOR SYSTEM

INSTALLATION INSTRUCTIONS TO INSTALL
 ON GH703 POWER RIVETER
 (TOOLS REQUIRED: 11/16 & 7/8 OPEN END WRENCHES)



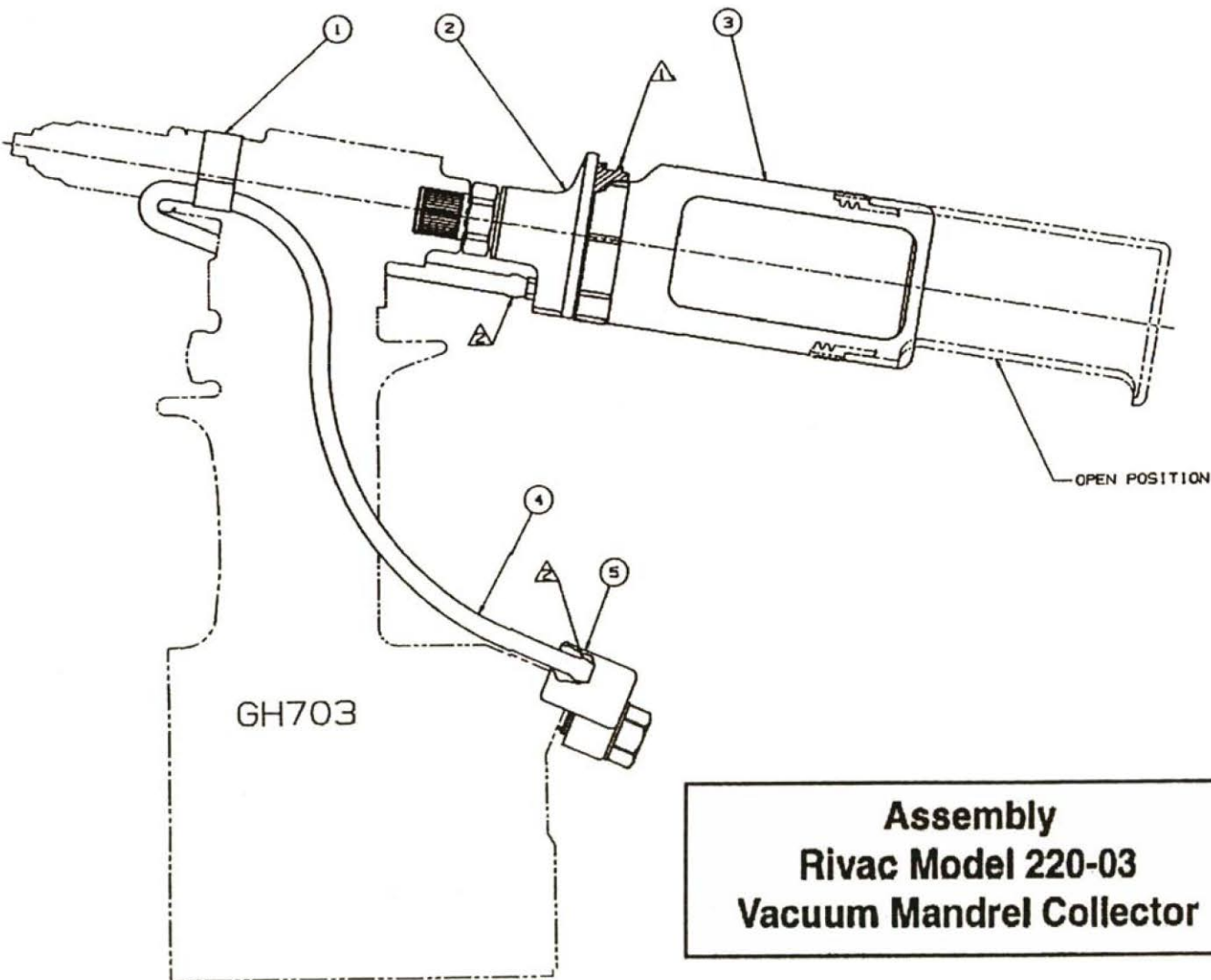
- FIG. A** ⚠️ REMOVE ANY FITTING OR HOSE FROM AIR INLET CONNECTOR.
- ⚠️ TO REMOVE DEFLECTOR AND FITTING, FIRMLY GRIP PORTION OF RUBBER DEFLECTOR CLOSEST TO HEAD CYLINDER CAP AND PULL OUTWARD.
- FIG. B** ⚠️ INSERT STEEL END OF CANISTER ASSY INTO HEAD CYLINDER CAP WITH THE OUTER CANISTER IN THE OPEN POSITION. HOLD THE INNER CANISTER (TRANSPARENT) STATIONARY WHILE LOCKING THE 7/8" NUT IN PLACE. TIGHTEN NUT SECURLY.
- ⚠️ POSITION TUBING AS DESIRED THROUGH TUBING CLIP AND DOWN TO SWIVEL INLET.
- ⚠️ APPLY LOCTITE PST PIPE SEALANT NO. 567 TO SWIVEL FITTING THREADS AND ATTACH TO AIR INLET CONNECTION OR FITTING TO SWIVEL FITTING.

NOTE: AVOID FILLING THE COLLECTION CONTAINER TO CAPACITY. IT IS RECOMMENDED THAT IT BE EMPTIED WHEN ¾ FULL TO AVOID POSSIBLE JAMS. FOR MORE INFORMATION PLEASE CONTACT OUR TECHNICAL SERVICES DEPARTMENT.

USATCO U.S. Air Tool Company, Inc.

Eastern Division60 Fleetwood Ct., Ronkonkoma, NY 11779-6907 tel: (631) 471-3300 fax: (631) 471-3308
 Western Division1219 W. Mahalo Place, Rancho Dominguez, CA 90220-5446 tel: (310) 632-5400 fax: (310) 632-3900

Info@usatco.com



**Assembly
 Rivac Model 220-03
 Vacuum Mandrel Collector**

5	1	SWIVEL ASSY, AIR INLET	794-030
4	1	TUBING, POLYURETHANE	850A39-16
3	1	CANISTER ASSY	794-027
2	1	HOUSING ASSY	794-031
1	1	RETAINER, TUBE	794-026
ITEM NO.	QTY.	PART NO. / DESCRIPTION	
PARTS LIST			

USATCO U.S. Air Tool Company, Inc.

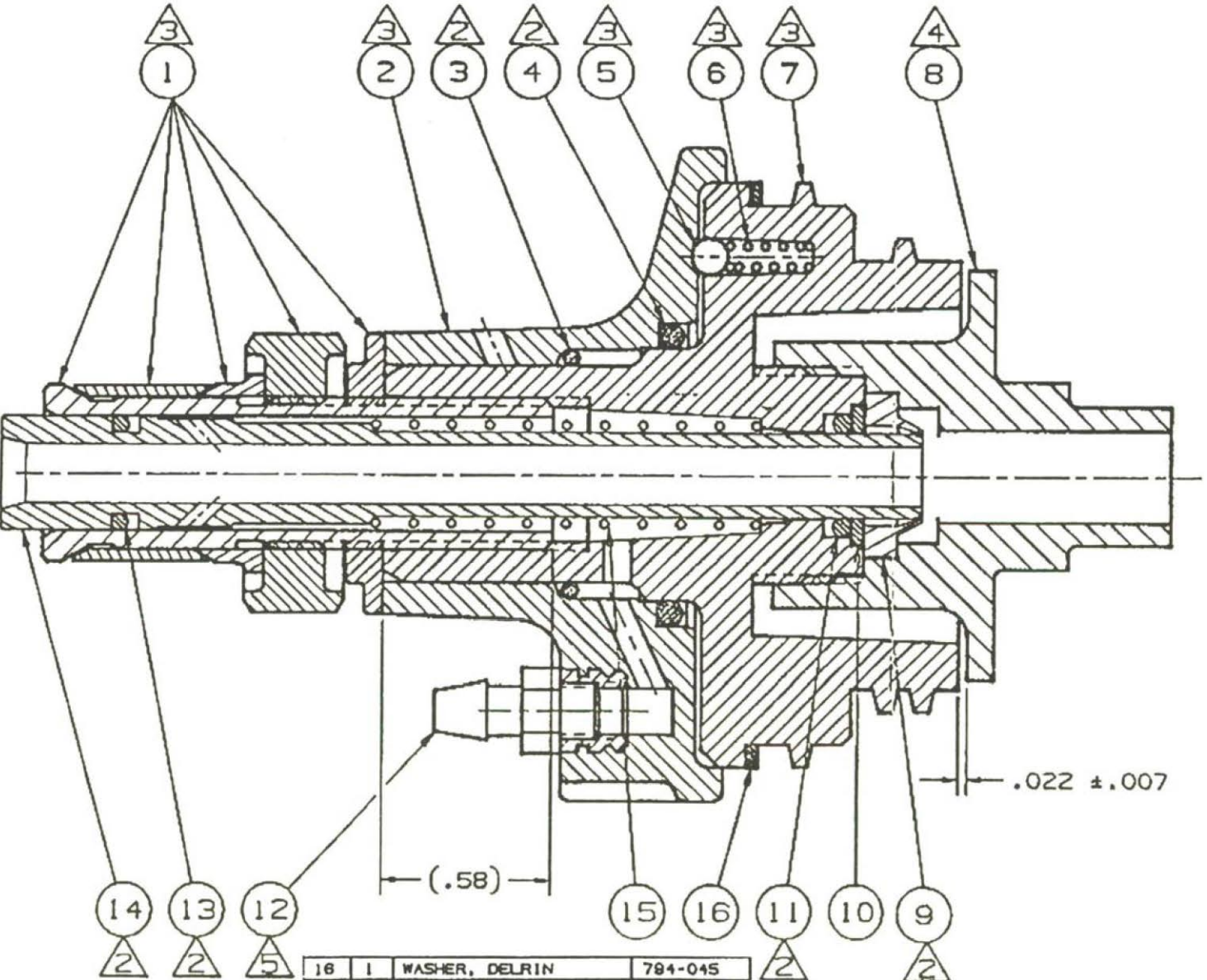
Info@usatco.com

Eastern Division60 Fleetwood Ct., Ronkonkoma, NY 11779-6907 tel: (631) 471-3300 fax: (631) 471-3308

Western Division1219 W. Mahalo Place, Rancho Dominguez, CA 90220-5446 tel: (310) 632-5400 fax: (310) 632-3900

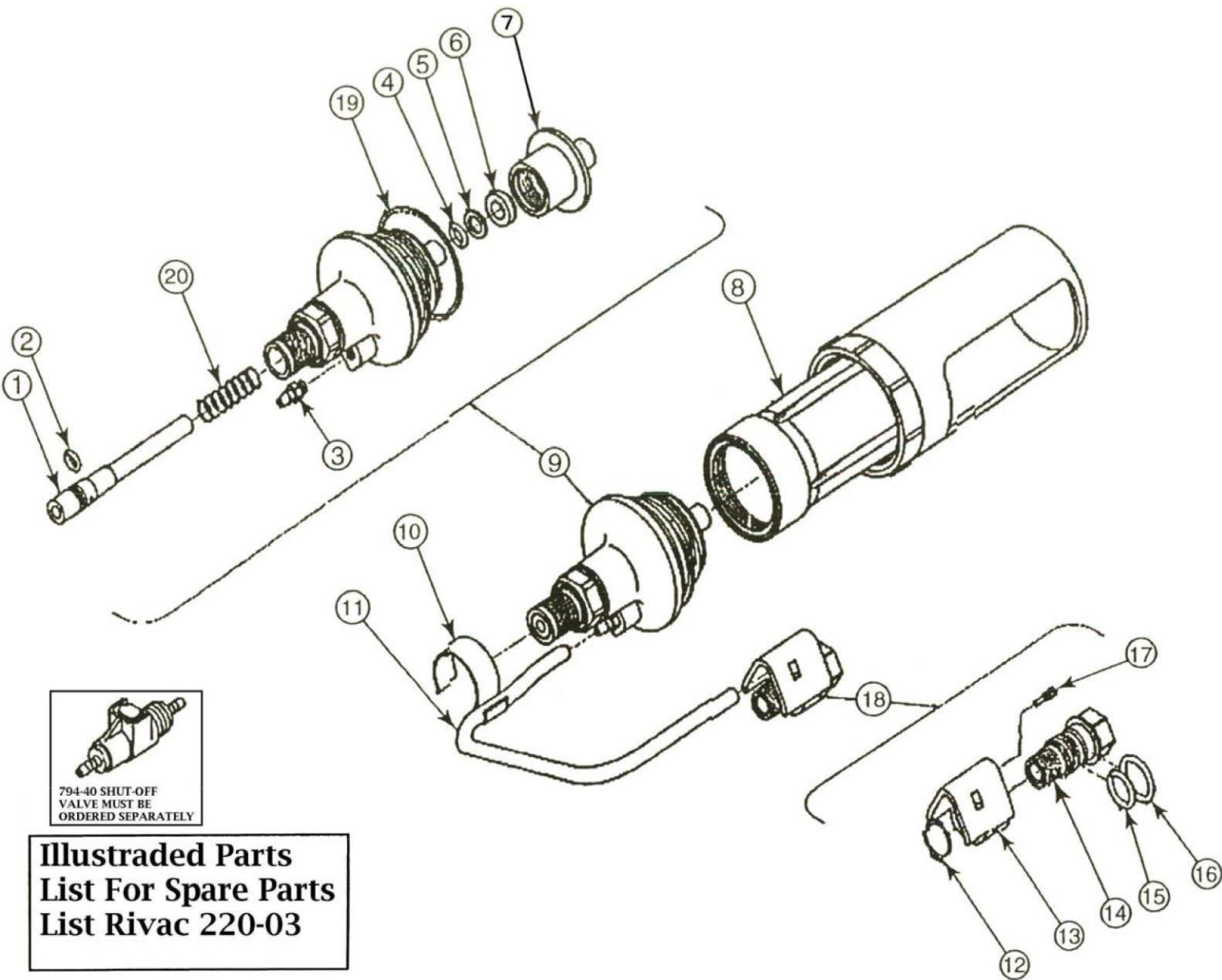
RIVAC MODEL 220-03

TECHNICAL DATA SHEET, Page 3 of 5



16	1	WASHER, DELRIN	784-045
15	1	SPRING	784-046
14	1	TUBE, EJECTION	784-015
13	1	O-RING 2-010(N674-70)	P0111
12	1	CONNECTOR, AIR LINE	P1263
11	1	O-RING 2-011(N674-70)	P0383
10	1	SPACER, PLASTIC	784-009
9	1	WIPER, ROD	784-036
8	1	NUT, CAP	784-088
7	1	HOUSING	784-002
6	2	SPRING	P1265
5	2	BALL, STEEL (Ø 1/8)	P0164
4	1	O-RING 2-118(N552-90)	P0728
3	1	O-RING 2-018(N552-90)	P0551
2	1	RING, AIR FITTING	784-003
1	1	MANDREL ASSY, EXP	784-032

ITEM NO.	QTY.	PART NO. / DESCRIPTION
PARTS LIST		



**Illustrated Parts
 List For Spare Parts
 List Rivac 220-03**

USATCO U.S. Air Tool Company, Inc.

Info@usatco.com

Eastern Division60 Fleetwood Ct., Ronkonkoma, NY 11779-6907 tel: (631) 471-3300 fax: (631) 471-3308

Western Division1219 W. Mahalo Place, Rancho Dominguez, CA 90220-5446 tel: (310) 632-5400 fax: (310) 632-3900

RIVAC MODEL 220-03

TECHNICAL DATA SHEET, Page 5 of 5

20	1	794-046 Spring
19	1	794-045 Washer, Delrin
18	1	794-030 Swivel Assembly, Air Inlet
17	1	794-023 Screw, Adjusting
16	1	P-721 O-Ring 2-016 (N552-90)
15	1	P-294 O-Ring
14	1	794-011 Fitting, Swivel
13	1	794-007 Swivel, Air Inlet
12	1	P-165 Ring, Retaining
11	1	850A39-18 Tbg, Polyurethane – 18”
		850A39-16 Tbg, Polyurethane – 16”
10	1	794-026 Retainer, Tube
9	1	794-031 Housing Assembly
8	1	794-027 Canister Assembly
7	1	794-088 Nut, Cap
6	1	794-036 Wiper, Rod
5	1	794-009 Spacer, Plastic
4	1	P-383 O-Ring 2-011 (N674-70)
3	1	P-1263 Connector, Air Line
2	1	P-111 O-Ring 2-010 (N674-70)
1	1	794-015 Tube, Ejection
Item No.	Qty.	Part No. / Description
Part List for Rivac 220-03		

WARRANTY

Seller warrants the goods conform to applicable specifications and drawings and will be manufactured and inspected according to generally accepted practices of companies manufacturing industrial or aerospace fasteners. In the event of any breach of the foregoing warranty, Buyer's sole remedy shall be to return defective goods (after receiving authorization from Seller) for replacement or refund of the purchase price, at the Seller's option. Seller agrees to any freight costs in connection with the return of any defective goods, but any costs relating to removal of the defective or nonconforming goods or installation of replacement goods shall be Buyer's responsibility. SELLER'S WARRANTY DOES NOT APPLY WHEN ANY PHYSICAL OR CHEMICAL CHANGE IN THE FORM OF THE PRODUCT IS MADE BY BUYER. THE FOREGOING EXPRESS WARRANTY AND REMEDY ARE EXCLUSIVE AND ARE IN LIEU OF ALL OTHER WARRANTIES AND REMEDIES; ANY IMPLIED WARRANTY AS TO QUALITY, FITNESS FOR PURPOSE, OR MERCHANTABILITY IS HEREBY SPECIFICALLY DISCLAIMED AND EXCLUDED BY SELLER. This warranty is void if seller is not notified in writing of any rejection of the goods within ninety (90) days after receipt of the goods by buyer. Seller shall not be liable under any circumstances for incidental, special or consequential damages arising in whole or in part from any breach by Seller, AND SUCH INCIDENTAL, SPECIAL, OR CONSEQUENTIAL DAMAGES ARE HEREBY EXPRESSLY EXCLUDED. Our policy is one of continuous development. Specifications shown in this document may be subject to changes introduced after publication. NOTE: The properties, strength, dimensions, installed characteristics and all other information in these materials are for guidance only to aid in the correct selection of the products described herein and is not intended or implied as part of the above warranty. All applications should be evaluated for functional stability and available samples of the described parts can be requested for installed tests, suitability and evaluations.

For more information please contact our Technical Services Department at tel. 714-850-6022

USATCO U.S. Air Tool Company, Inc.

Info@usatco.com

Eastern Division60 Fleetwood Ct., Ronkonkoma, NY 11779-6907 tel: (631) 471-3300 fax: (631) 471-3308

Western Division1219 W. Mahalo Place, Rancho Dominguez, CA 90220-5446 tel: (310) 632-5400 fax: (310) 632-3900