



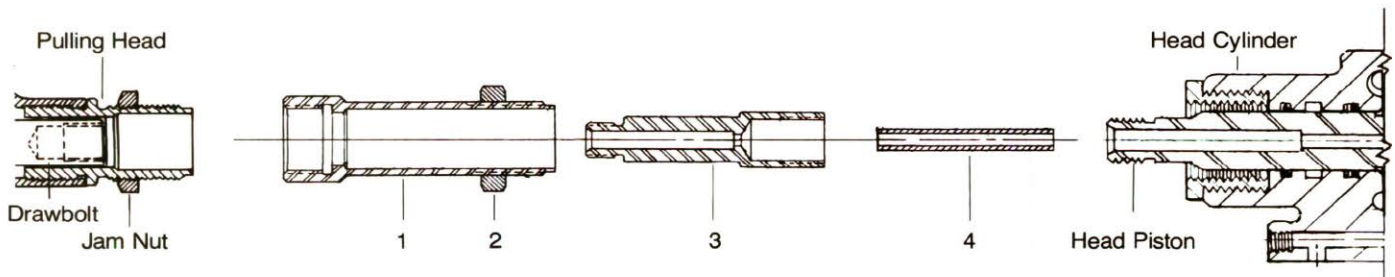
## CHERRYMAX® TOOLING ACCESSORIES

### 744A20 ADAPTER



The 744A20 Adapter enables the G-744 CherryMAX power riveter to accept the following CherryMAX pulling heads: The H701B-456 (straight), the H753A-456 (right angle) and the H763-456 (offset). These pulling heads will install 1/8, 5/32 and 3/16" nominal and oversize CherryMAX rivets in any head style and in all grip lengths.

### INSTALLING 744A20 ADAPTER ON RIVETER



1. Insert ejection tube (4) into riveter head piston.
2. Engage internal threads of collet adapter (3) with the external threads of the head piston. Rotate adapter clockwise until snug and tighten with appropriate wrench.
3. Engage external threads of the sleeve adapter (1) with internal threads of riveter head cylinder. Rotate adapter

clockwise until hand tight. Tighten jam nut (2) against head cylinder with appropriate wrench.

4. To install CherryMAX pulling head, engage internal threads of pulling head drawbolt with the external threads of the collet adapter (3). Rotate pulling head clockwise until snug and then tighten pulling head jam nut securely.

USATCO U.S. Air Tool Company, Inc.

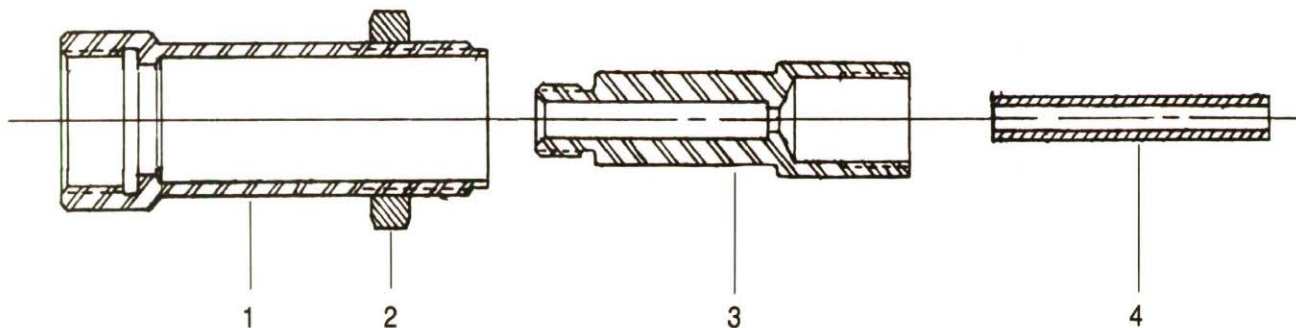
Eastern Division .....60 Fleetwood Ct., Ronkonkoma, NY 11779-6907 tel: (631) 471-3300 fax: (631) 471-3308

Western Division .....1219 W. Mahalo Place, Rancho Dominguez, CA 90220-5446 tel: (310) 632-5400 fax: (310) 632-3900

[Info@usatco.com](mailto:Info@usatco.com)



## 744A20 ADAPTER



REF. NO.	PART NUMBER	DESCRIPTION	QTY. REQ.
1	744B22	Sleeve Adapter	1
2	642A64	Jam Nut	1
3	744B21	Collet Adapter	1
4	744A23	Ejection Tube	1

## MAINTENANCE AND REPAIR

Keep adapter clean, especially inner section of sleeve adapter, as chips and sealants can hamper internal operation.

### WARRANTY

Seller warrants the goods conform to applicable specifications and drawings and will be manufactured and inspected according to generally accepted practices of companies manufacturing industrial or aerospace fasteners. In the event of any breach of the foregoing warranty, Buyer's sole remedy shall be to return defective goods (after receiving authorization from Seller) for replacement or refund of the purchase price, at the Seller's option. Seller agrees to any freight costs in connection with the return of any defective goods, but any costs relating to removal of the defective or nonconforming goods or installation of replacement goods shall be Buyer's responsibility. SELLER'S WARRANTY DOES NOT APPLY WHEN ANY PHYSICAL OR CHEMICAL CHANGE IN THE FORM OF THE PRODUCT IS MADE BY BUYER. THE FOREGOING EXPRESS WARRANTY AND REMEDY ARE EXCLUSIVE AND ARE IN LIEU OF ALL OTHER WARRANTIES AND REMEDIES; ANY IMPLIED WARRANTY AS TO QUALITY, FITNESS FOR PURPOSE, OR MERCHANTABILITY IS HEREBY SPECIFICALLY DISCLAIMED AND EXCLUDED BY SELLER. This warranty is void if seller is not notified in writing of any rejection of the goods within ninety (90) days after receipt of the goods by buyer.

Seller shall not be liable under any circumstances for incidental, special or consequential damages arising in whole or in part from any breach by Seller, AND SUCH INCIDENTAL, SPECIAL, OR CONSEQUENTIAL DAMAGES ARE HEREBY EXPRESSLY EXCLUDED.

Our policy is one of continuous development. Specifications shown in this document may be subject to changes introduced after publication.

NOTE: The properties, strength, dimensions, installed characteristics and all other information in these materials are for guidance only to aid in the correct selection of the products described herein and is not intended or implied as part of the above warranty. All applications should be evaluated for functional stability and available samples of the described parts can be requested for installed tests, suitability and evaluations.

For more information please contact our Technical Services Department at tel. 714-850-6022

USATCO U.S. Air Tool Company, Inc.

Eastern Division .....60 Fleetwood Ct., Ronkonkoma, NY 11779-6907 tel: (631) 471-3300 fax: (631) 471-3308

Western Division .....1219 W. Mahalo Place, Rancho Dominguez, CA 90220-5446 tel: (310) 632-5400 fax: (310) 632-3900