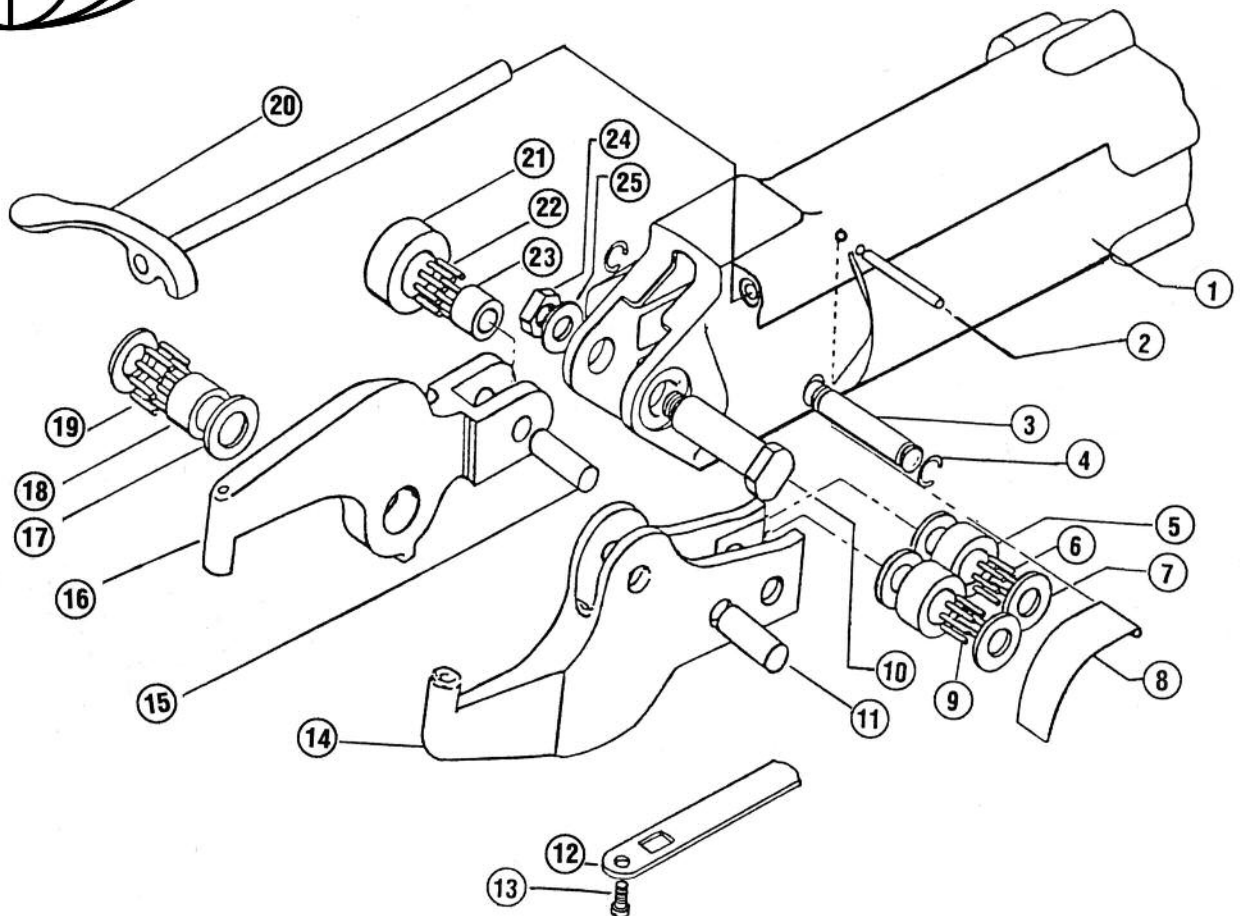


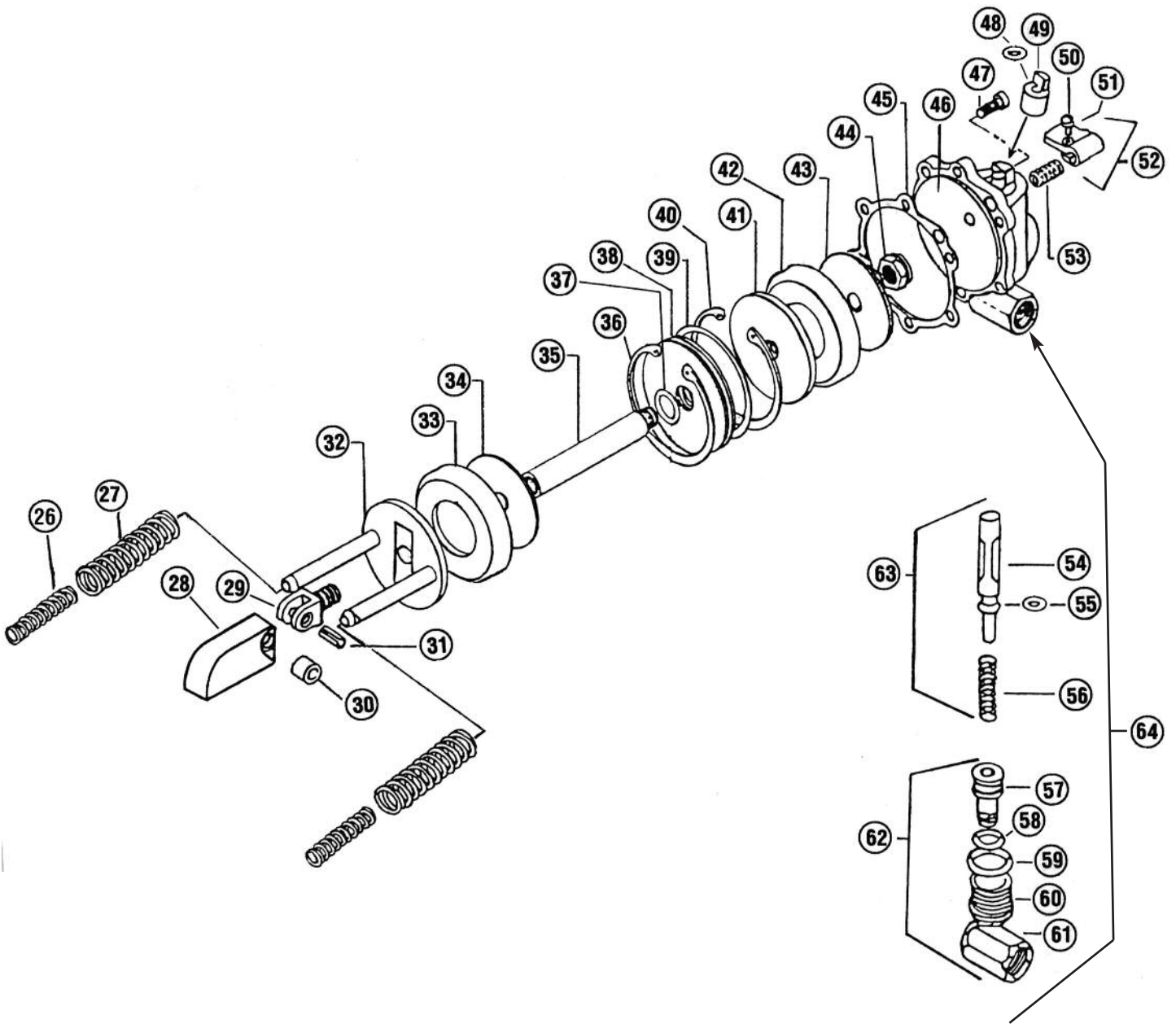
34-725A Alligator Yoke Compression Riveters

All parts shown on this list are interchangeable with like items offered by Chicago Pneumatic, Deutsch APT, and several other makes.

Model Number	Capacity Cold Rivet Diameter		Standard Yoke Dimensions		Jaw Part Number		Max. Force @ 90 PSI	Moving Jaw		Net Weight	Overall Length	Air Inlet Thread Size	Gap	Set Hole Size
	Alum.	Steel	Reach	Closed Height	Stationary Jaw	Moving Jaw		Max. Travel	Stroke @ Max. Force					
34-725A-1-1/2	3/16"	5/32"	1-1/2"	7/8"	38-457	38-458	6000 lbs	5/8"	Final 1/16"	4.75 lbs	11-3/16"	1/4"	0.89"	3/16"
34-725A-2-1/4	5/32"	1/8"	2-1/4"	7/8"	38-1213	38-1214	4300 lbs	7/8"	Final 3/32"	5.25 lbs	12-3/4"	1/4"	0.89"	3/16"
34-725A-3	1/8"	3/32"	3"	7/8"	38-1215	38-1216	3400 lbs	1-1/4"	Final 1/8"	5.50 lbs	13-1/2"	1/4"	0.89"	3/16"

Note: Our well equipped tool repair shop can repair or rebuild any currently used rivet squeezer. Let our experience and knowhow save you money and lost time. **Free estimates!**





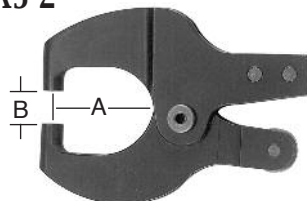
Alligator Yokes for 34-725A Rivet Squeezers

64-A5-1



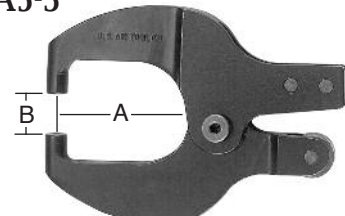
Reach 'A': 1-1/2"
Gap 'B': 0.89"

64-A5-2



Reach 'A': 2-1/4"
Gap 'B': 0.89"

64-A5-3



Reach 'A': 3"
Gap 'B': 0.89"

USATCO\U.S. Air Tool Company, Inc.

Eastern Division60 Fleetwood Ct., Ronkonkoma, NY 11779-6907 tel: (631) 471-3300 fax: (631) 471-3308

Western Division1219 W. Mahalo Place, Rancho Dominguez, CA 90220-5446 tel: (310) 632-5400 fax: (310) 632-3900

Index No.	Part No.	Part Description	Amount Req.
1	38-841	Cylinder	1
2	38-413	Dowel Pin	1
3	38-471	Roller Bearing Shaft	1
4	38-551	Lock Ring	2
5	38-469	Roller Bearing	2
6	38-626	Needle Bearing	20
7	38-472	Washer	4
8	38-455	Return Spring	1
9	38-626	Needle Bearing	20
10	38-482	Bolt	1
11	38-470	Roller Bearing Shaft	1
12	38-473	Roller Bearing Guard	1
13	38-188	Screw	1
14		Stationary Alligator Jaw (see chart for sizes)	1
15	38-550	Bearing Shaft	1
16		Moving Alligator Jaw (see chart for sizes)	1
17	38-481	Washer	2
18	38-480	Inner Bearing Roller	1
19	38-626	Needle Bearing	35
20	38-795	Throttle Valve Lever	1
21	38-478	Outer Bearing Roller	1
22	38-626	Needle Bearing	29
23	38-479	Inner Bearing Roller	1
24	38-184	Hex Nut	1
25	38-177	Washer	1
26	38-467	Inner Spring	2
27	38-468	Outer Spring	2
28	38-2132	Wedge	1
29	38-2130	Piston Shaft Fork	1
30	38-465	Spacer	1
31	38-466	Roll Pin	1
32	38-438	Piston	1
33	38-460	Cup Leather	1
34	38-461	Plate	1
35	38-1325	Piston Shaft	1
36	38-927	Truarc Ring	1
37	38-922	"O" Ring (-112)	1
38	38-929	Spacer	1
39	38-923	"O" Ring (-136)	1
40	38-927	Truarc Ring	1
41	38-930	Rear Piston	1
42	38-460	Cup Leather	1
43	38-461	Plate	1
44	38-463	Locknut	1
45	38-483	Gasket	1
46	38-940	Cylinder Head (includes index numbers 48 & 49)	1
47	38-410	Screw	6
48	38-5138	"O" Ring (-010)	1
49	38-6309	Bushing	1
50	38-628	Screw	1
51	38-901	Throttle Lever	1
52	38-944	Throttle Lever Assembly (includes index numbers 50 & 51)	1
53	38-200	Spring	1
54	38-6298	Throttle Valve (standard)	1
55	38-566	"O" Ring (-008)	1
56	38-3577	Spring	1
57	38-1585	Air Inlet Swivel	1
58	38-491	"O" Ring (-012)	1
59	38-488	"O" Ring (-014)	1
60	38-489	Nut	1
61	38-522	Elbow (90° - 1/4" pipe)	1
62	38-2436	Air Inlet Swivel Complete (includes index numbers 57, 58, 59, 60 & 61)	1
63	38-6346	Valve Assembly (includes index numbers 54, 55 & 56)	1
64	38-943	Cylinder Head Assembly Complete (includes index numbers 46, 62 & 63)	1



USATCO\U.S. Air Tool Company, Inc.

Eastern Division60 Fleetwood Ct., Ronkonkoma, NY 11779-6907 tel: (631) 471-3300 fax: (631) 471-3308
 Western Division1219 W. Mahalo Place, Rancho Dominguez, CA 90220-5446 tel: (310) 632-5400 fax: (310) 632-3900

34-725A

Alligator Yoke Compression Riveter Parts List



- CE approved and certified.
- Quiet, easy operation.
- Clamping force exceeds federal specs.
- New, larger capacity high-force models now available, please inquire.
- Good balance, easy handling.
- Safety approved throttle lever.
- 90° swiveling air inlet.
- Tool steel roller bearings and shafts.
- Operates with little or no oil.



Model No. **34-725A-1-1/2** Shown.

Note: Operate this tool at 90 PSI (6.2 bar).

Toll Free Nationwide & Canada: **800-645-8180**

USATCO\U.S. AIR TOOL COMPANY, INC. www.USATCO.com NEW YORK • CALIFORNIA

Rev0515