



DIMENSIONAL DATA (all measurements in Inches, see figure 1)

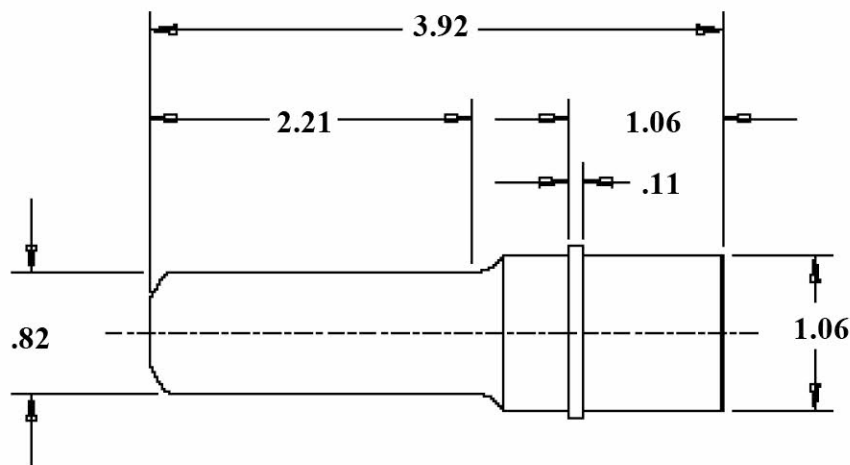


Figure 1

INTENDED USAGE

- This pulling head is to be used with BRÖTJE Blindnieteinsetzer Automatic Riveter or equivalent equipment and was designed to install -5, -6 & -8 diameter Maxibolt Plus fasteners.

MOUNTING & UNMOUNTING INSTRUCTIONS

- Before mounting the H84BR-568 Pulling Head, make sure all components are available for assembly and in good condition. (See figure 2)
- Mount the Collet Assembly and Sleeve onto the riveter by following the riveter installation procedures.
- To unmount the pulling head from the riveter, use removal wrench 975-023 applied to the flats on the drawbar adapter (item 4).

BEFORE USE, MAKE SURE THAT:

- Make sure that the tool is clean and in good working condition

DURING OPERATION

- Inspect the active area of the Nosepiece regularly.
- Keep the tool clean, especially the Nosepiece and Jaws; pay special attention when sealants are being used.



- If stem slippage occurs, either clean or replace the Jaws (item 1) as necessary.

PREVENTATIVE MAINTENANCE

- Clean the sleeve (item 3), Jaws (item 1) and Collet (item 6) every 1,000 installations, or whenever failures occurs.
- Lubricate outside configuration of the Jaws with Lubriplate[®] or similar light lubricant.
- Inspect regularly and keep the active area clean and in good working condition.
- Replace worn or broken components.
- At assembly: Assemble the Collet portion of the pulling head in the order shown below. Make sure to apply Lubriplate[®] on the top portion of the Jaw Follower (item 5) to help the Jaw Set (item 1) adhere to the Jaw follower during assembly.
- Use Loctite[®]242 or equivalent to lock the Drawbar Adaptor (item 4) to the Collet (item 6).

PARTS LIST

8	P-1426	SPRING, HEAVY DUTY	1
7	P-1456	SPRING, JAW FOLLOWER	1
6	652-058	COLLET H84BR-568	1
5	652-057	FOLLOWER, JAW	1
4	652-056	ADAPTER, DRAWBAR	1
3	652-055	OUTER SLEEVE	1
2	625-048	RETAINER, SPRING	1
1	652-043	JAW SET, MAXIBOLT PLUS	1
ITEM NUMBER	PART NUMBER	DESCRIPTION	QTY. PER ASSY.

LOCTITE[®] is a registered trademark of Henkel Corporation.
LUBRIPLATE[®] is a registered trademark of Fiske Brothers Refining Co.

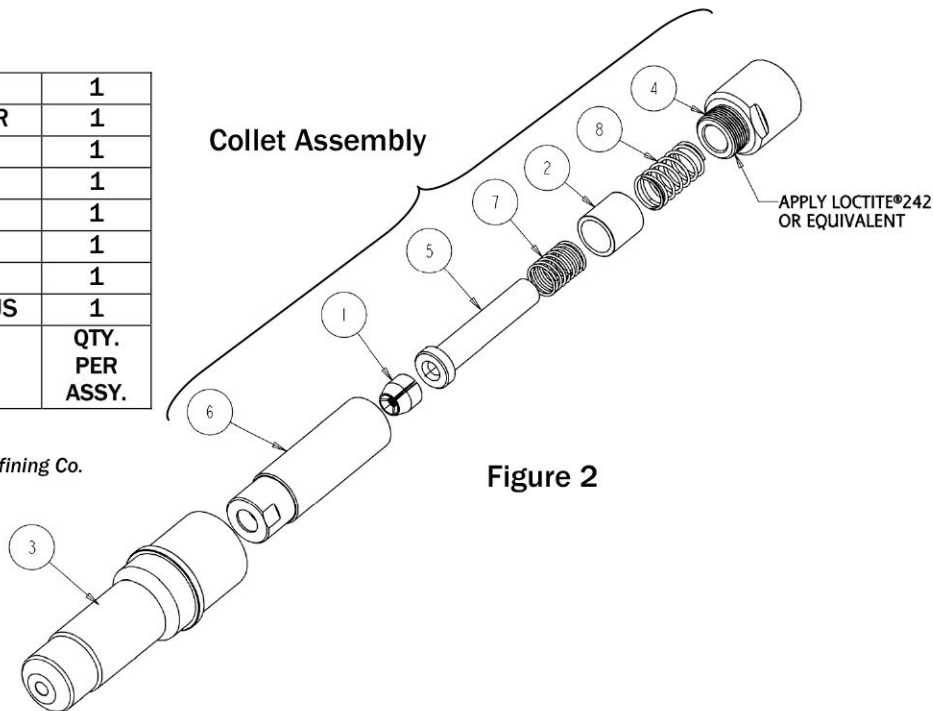


Figure 2

WARRANTY

Seller warrants the goods conform to applicable specifications and drawings and will be manufactured and inspected according to generally accepted practices of companies manufacturing industrial or aerospace fasteners. In the event of any breach of the foregoing warranty, Buyer's sole remedy shall be to return defective goods (after receiving authorization from Seller) for replacement or refund of the purchase price, at the Seller's option. Seller agrees to any freight costs in connection with the return of any defective goods, but any costs relating to removal of the defective or nonconforming goods or installation of replacement goods shall be Buyer's responsibility. SELLER'S WARRANTY DOES NOT APPLY WHEN ANY PHYSICAL OR CHEMICAL CHANGE IN THE FORM OF THE PRODUCT IS MADE BY BUYER. THE FOREGOING EXPRESS WARRANTY AND REMEDY ARE EXCLUSIVE AND ARE IN LIEU OF ALL OTHER WARRANTIES AND REMEDIES; ANY IMPLIED WARRANTY AS TO QUALITY, FITNESS FOR PURPOSE, OR MERCHANTABILITY IS HEREBY SPECIFICALLY DISCLAIMED AND EXCLUDED BY SELLER. This warranty is void if seller is not notified in writing of any rejection of the goods within ninety (90) days after receipt of the goods by buyer.

Seller shall not be liable under any circumstances for incidental, special or consequential damages arising in whole or in part from any breach by Seller, AND SUCH INCIDENTAL, SPECIAL, OR CONSEQUENTIAL DAMAGES ARE HEREBY EXPRESSLY EXCLUDED.

Our policy is one of continuous development. Specifications shown in this document may be subject to changes introduced after publication.

NOTE: The properties, strength, dimensions, installed characteristics and all other information in these materials are for guidance only to aid in the correct selection of the products described herein and is not intended or implied as part of the above warranty. All applications should be evaluated for functional stability and available samples of the described parts can be requested for installed tests, suitability and evaluations.

For more information please contact our Technical Services Department at tel. 714-850-6022

USATCO U.S. Air Tool Company, Inc.

Info@usatco.com

Eastern Division60 Fleetwood Ct., Ronkonkoma, NY 11779-6907 tel: (631) 471-3300 fax: (631) 471-3308

Western Division1219 W. Mahalo Place, Rancho Dominguez, CA 90220-5446 tel: (310) 632-5400 fax: (310) 632-3900