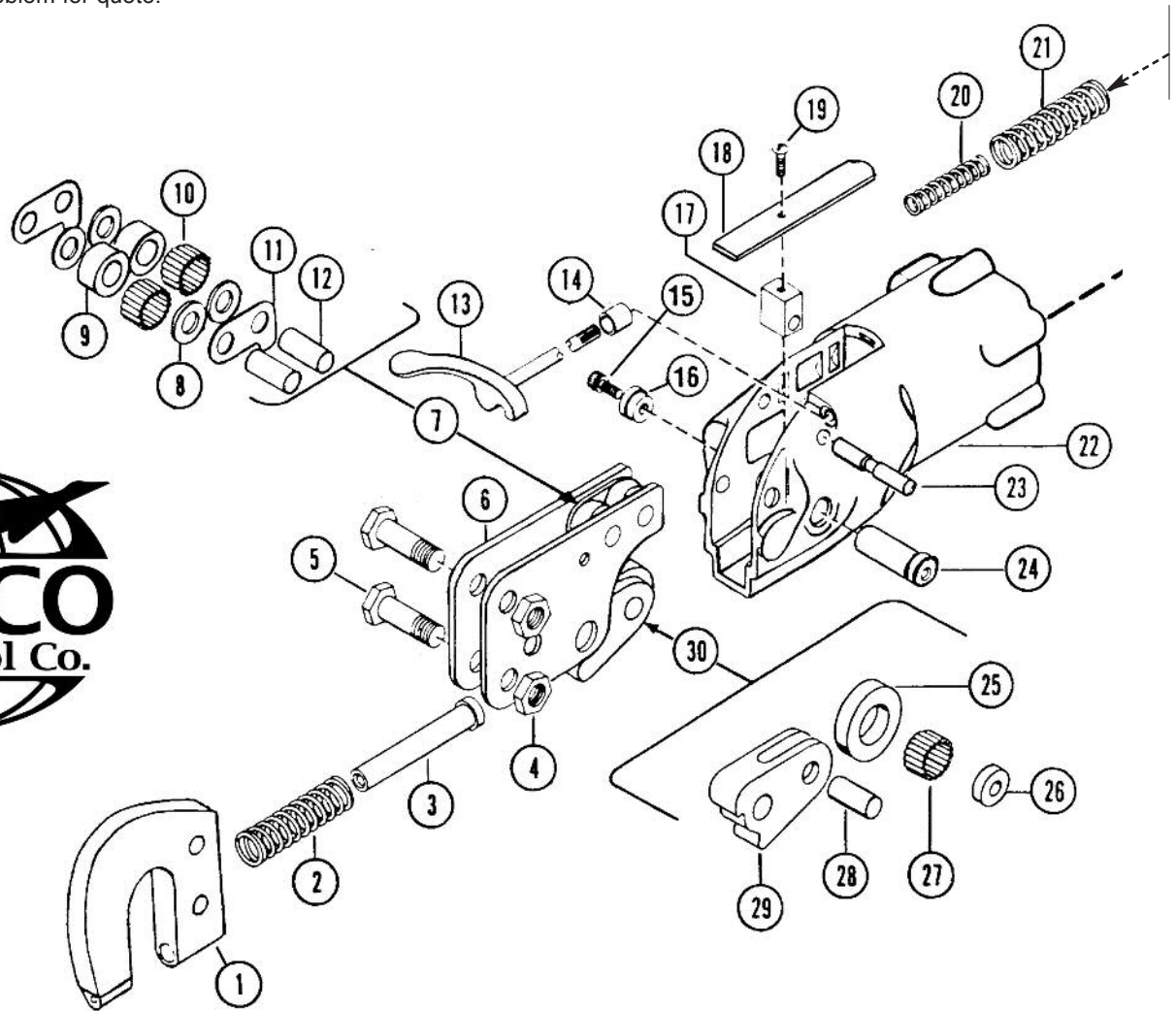


# 34-214C C-Yoke Compression Riveter

*All parts shown on this list are interchangeable with like items offered by Chicago Pneumatic, Deutsch APT, and several other makes.*

Model Number	Capacity Cold Rivet Diameter		Standard Yoke Dimensions			Max. Force @ 90 PSI	Set Holding Plunger		Net Weight	Overall Length	Air Inlet Thread Size	Gap	Set Hole Size
	Alum.	Steel	Reach	Closed Height	C-Yoke Part No.		Maximum Travel	Stroke @ Max. Force					
34-214C	1/8"	3/32"	1-1/2"	11/16"	64-C1	3300 lbs	9/16"	Final 1/16"	4.5 lbs	10-5/16"	1/4"	1-1/4"	3/16"

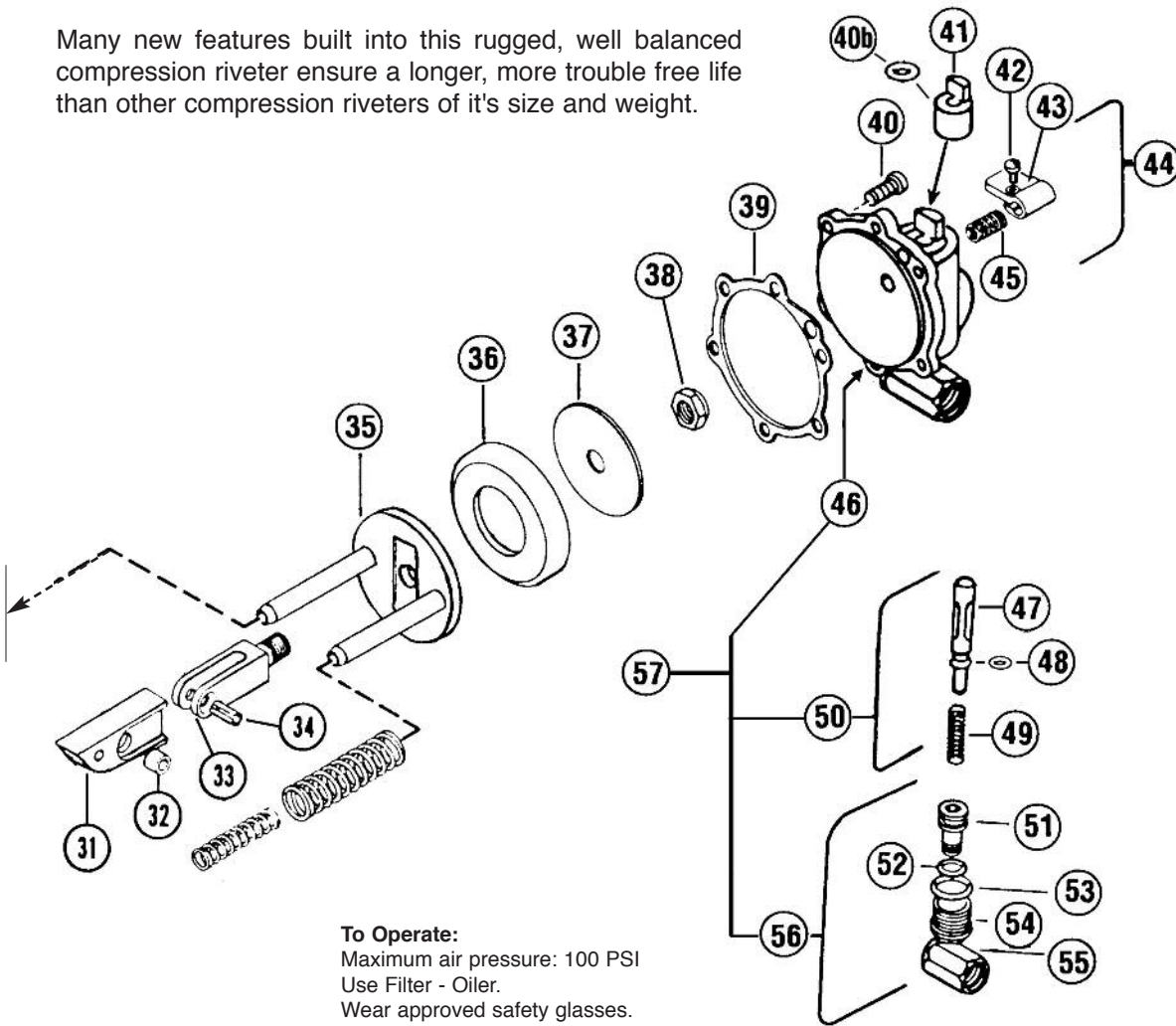
**Note:** The table above details the included C-Yoke which is suitable for most applications. USATCO also offers many other C-Yokes designed for more specific applications, please inquire. USATCO can also fabricate custom yoke designs, please submit a blueprint or sample of your riveting problem for quote.



USATCO U.S. Air Tool Company, Inc.

Eastern Division .....60 Fleetwood Ct., Ronkonkoma, NY 11779-6907 tel: (631) 471-3300 fax: (631) 471-3308  
 Western Division .....1219 W. Mahalo Place, Rancho Dominguez, CA 90220-5446 tel: (310) 632-5400 fax: (310) 632-3900

Many new features built into this rugged, well balanced compression riveter ensure a longer, more trouble free life than other compression riveters of it's size and weight.



**To Operate:**  
 Maximum air pressure: 100 PSI  
 Use Filter - Oiler.  
 Wear approved safety glasses.

## Rivet Sets Kit



53-26

Virtually all the tooling you will need for your squeezer. Assorted cupped, flush, soft blanks and spacer shims. 31 Pieces, Metal case included.

## Floor Stand



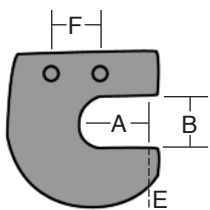
**Includes:**

- Stand
- Foot Control Assembly
- Conversion Head

37-12

Available with or without tool.

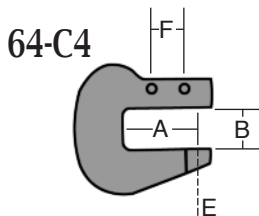
## C-Yokes for the 34-214C Rivet Squeezer



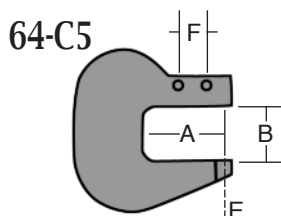
**64-C1** Reach 'A': 1-7/16" Gap 'B': 1-1/4"  
 Set Hole 'E': .187" Mount Spacing 'F': 1-5/16"

**64-C200** Reach 'A': 2" Gap 'B': 1-1/4"  
 Set Hole 'E': .187" Mount Spacing 'F': 1-5/16"

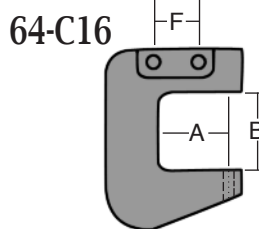
**64-C300** Reach 'A': 3" Gap 'B': 1-1/4"  
 Set Hole 'E': .187" Mount Spacing 'F': 1-5/16"



**64-C4** Reach 'A': 3-1/2"  
 Gap 'B': 1-3/4"  
 Set Hole 'E': .187"  
 Mount Spacing 'F': 1-5/16"



**64-C5** Reach 'A': 4-1/8"  
 Gap 'B': 2-1/2"  
 Set Hole 'E': .187"  
 Mount Spacing 'F': 1-5/16"



**64-C16** Reach 'A': 2"  
 Gap 'B': 2"  
 Mount Spacing 'F': 1.312"  
**With Adj. Threaded Adapter**

## Adjustable Set Holder



97798

Replaces the standard rigid set holder and eliminates the need to shim the dies / sets with washers.

## Bench Mount Riveter

34-720CBR2  
 Please Inquire



Index Number	Part Number	Part Description	Amount Required
1	64-C1	C-Yoke, Standard (other configurations available)	1
2	38-540	Return Spring	1
3	38-539	Set Holder, Standard 2-9/16" O.A.L. with 3/16" Set Hole (other lengths avail.)	1
4	38-415	Nut	2
5	38-541	Bolt	2
6	38-494	Plate	2
7	38-554	Roller Bearing Assembly (includes index numbers 8, 9, 10, 11 & 12)	1
8	38-472	Washer	4
9	38-469	Roller Bearing	2
10	38-626	Needle Bearing (2 Sets)	20 / 20
11	38-498	Guide	2
12	38-470	Roller Bearing Shaft	2
13	38-795	Throttle Valve Lever	1
14	38-572	Spacer	1
15	38-369	Screw	1
16	38-537	Cap, Shaft	1
17	38-496	Spacer	1
18	38-495	Roller Bearing Guard	1
19	38-456	Screw	1
20	38-467	Inner Spring	2
21	38-468	Outer Spring	2
22	38-589	Cylinder	1
23	38-497	Pin	1
24	38-536	Shaft	1
25	38-533	Roller Bearings	1
26	38-534	Inner Bearing Roller	1
27	38-627	Needle Bearings	25
28	38-535	Shaft	1
29	38-532	Lever	1
30	38-553	Lever Assembly (includes index numbers 25, 26, 27, 28 & 29)	1
31	38-493	Wedge	1
32	38-465	Spacer	1
33	38-462	Piston Shaft Fork	1
34	38-466	Roll Pin	1
35	38-438	Piston	1
36	38-460	Cup Leather	1
37	38-461	Plate	1
38	38-463	Locknut	1
39	38-483	Gasket	1
40	38-410	Screw	6
40b	38-5183	"O" Ring (-010)	1
41	38-6309	Bushing	1
42	38-628	Screw	1
43	38-901	Throttle Lever	1
44	38-944	Throttle Lever Assembly (includes index numbers 42 & 43)	1
45	38-200	Spring	1
46	38-940	Cylinder Head (includes index numbers 40b & 41)	1
47	38-6298	Throttle Valve, Standard	1
48	38-566	"O" Ring (-008)	1
49	38-3577	Spring	1
50	38-6346	Valve Assembly (includes index numbers 47, 48 & 49)	1
51	38-1585	Air Inlet Swivel	1
52	38-491	"O" Ring (-012)	1
53	38-488	"O" Ring (-014)	1
54	38-499	Nut	1
55	38-522	Elbow (90° - 1/4 pipe)	1
56	38-2436	Air Inlet Swivel Complete (includes index numbers 51, 52, 53, 54 & 55)	1
57	38-943	Cylinder Head Assembly Complete (includes index numbers 46, 50 & 56)	1
599	38-1607	<b>Cylinder Head, Valveless:</b> Use with foot or hand valve control, usually with floor stand or bench mounting. (not shown)	1



**USATCO U.S. Air Tool Company, Inc.**

Eastern Division .....60 Fleetwood Ct., Ronkonkoma, NY 11779-6907 tel: (631) 471-3300 fax: (631) 471-3308  
Western Division .....1219 W. Mahalo Place, Rancho Dominguez, CA 90220-5446 tel: (310) 632-5400 fax: (310) 632-3900

# 34-214C

## C-Yoke Compression Riveter Parts List

---



- CE approved and certified.
- Quiet, easy operation.
- Clamping force exceeds federal specs.
- New, larger capacity high-force models now available, please inquire.
- Good balance, easy handling.
- Safety approved throttle lever.
- 90° swiveling air inlet.
- Tool steel roller bearings and shafts.
- Operates with little or no oil.



Model No. **34-214C** Shown

**Note:** Operate this tool at 90 PSI (6.2 bar).

Toll Free Nationwide & Canada: **800-645-8180**

USATCO\U.S. AIR TOOL COMPANY, INC. [www.USATCO.COM](http://www.USATCO.COM) NEW YORK • CALIFORNIA

Rev0515