

H84-8CLA

CherryLock "A" code Pulling Head

TECHNICAL DATA SHEET, Page 1 of 2

DIMENSIONAL DATA (all measurements in Inches, see Figure 1)

- Tool Weight (without riveter): .3 Lbs (0.14 Kg)

CHOICE OF RIVETERS

- G84 Riveters

MOUNTING INSTRUCTIONS

- Attach Riveter to air source for correct piston positioning.
- Make sure the Jaws and all internal components of the Collet are properly located
- Thread the Collet onto the Piston of the riveter
- Push on the Bayonet mount system and snap in the Sleeve.
- Cycle the tool to make sure it is functional.

BEFORE USE, CHECK IF:

- The Pulling Head is correctly mounted and the proper riveter is selected.
- Proper Air source is connected (see Riveter specification for recommended pressure).
- The appropriate Nose Piece is used and the tool is clean and in good working condition.

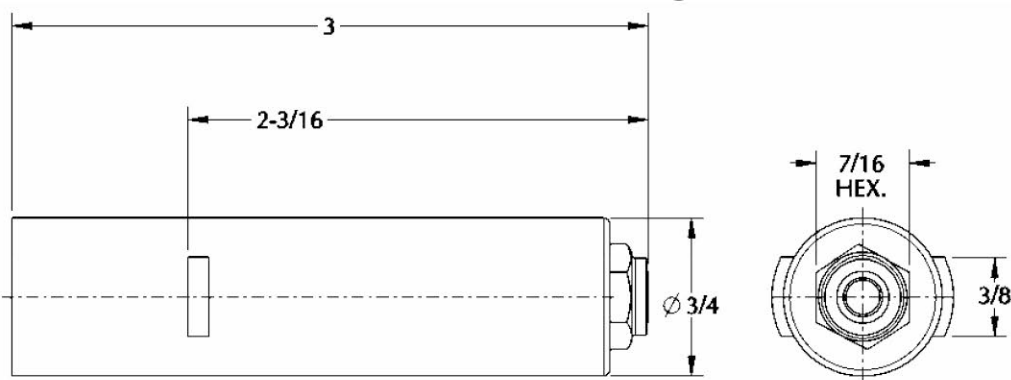
USAGE

- This tool was designed to install "-8" diameter CherryLock "A" code fasteners.
- This tool is also capable of installing "-8" diameter CherryMax "AB", Aluminum.

DURING OPERATION

- Inspect the active area of the Nosepiece regularly.
- Keep the tool clean, especially the Nosepiece and Jaws; pay special attention when used with sealants and adhesives.
- If stem slippage occurs, the Jaws need to be either cleaned or replaced.

Figure 1



CHERRY®
AEROSPACE



USATCO U.S. Air Tool Company, Inc.

Info@usatco.com

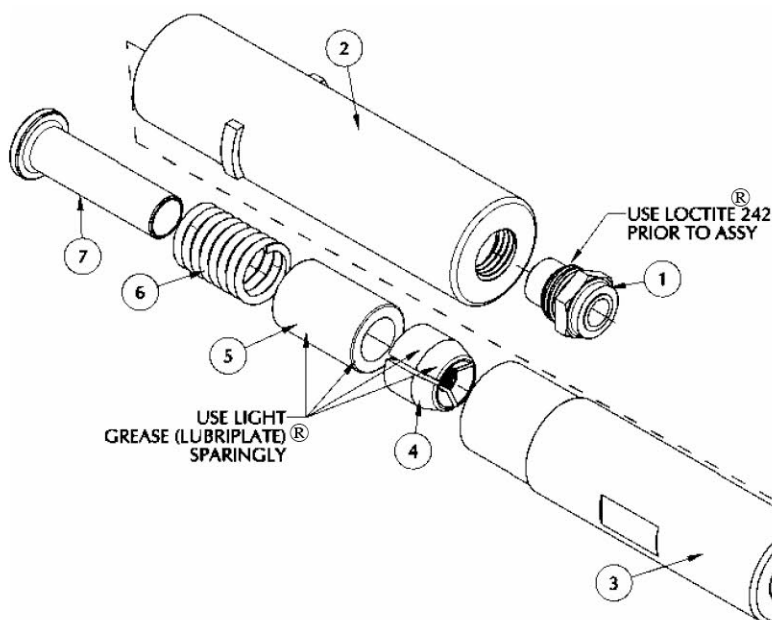
Eastern Division60 Fleetwood Ct., Ronkonkoma, NY 11779-6907 tel: (631) 471-3300 fax: (631) 471-3308
Western Division1219 W. Mahalo Place, Rancho Dominguez, CA 90220-5446 tel: (310) 632-5400 fax: (310) 632-3900

H84-8CLA

CherryLock "A" code Pulling Head

TECHNICAL DATA SHEET, Page 2 of 2

PARTS LIST



7	513-062	SLEEVE, JAW FOLLOWER	1
6	513-061	COMPRESSION SPRING	1
5	513-142	CAP, JAW FOLLOWER	1
4	562C28	JAW SET (3 EA.)	1
3	652-004	COLLET	1
2	652-005	SLEEVE	1
1	652-024	NOSE PIECE, 8CLA	1
ITEM NO.	PART NUMBER	DESCRIPTION	QTY. PER ASSY.

PREVENTATIVE MAINTENANCE

- Inspect active area regularly and keep it clean, in good condition
- Clean the Insert, Jaws and Jaw Cavity inside the Collet every 1,000 installations.
- Lubricate outside configuration of the jaws with Lubriplate® or similar light grease.
- Use Loctite® 242 (removable) on threaded components as shown.

GENERAL / TECHNICAL QUESTIONS

1224 E. Warner Avenue,
 Santa Ana, CA 92705 USA
 1-714-850-6022 (Phone)
 1-714-850-6093 (Fax)

LOCTITE® is a registered trademark of Henkel Corporation.
 LUBRIPLATE® is a registered trademark of Fiske Brothers Refining Co.



CHERRY®
 AEROSPACE

WARRANTY

Seller warrants the goods conform to applicable specifications and drawings and will be manufactured and inspected according to generally accepted practices of companies manufacturing industrial or aerospace fasteners. In the event of any breach of the foregoing warranty, Buyer's sole remedy shall be to return defective goods (after receiving authorization from Seller) for replacement or refund of the purchase price, at the Seller's option. Seller agrees to any freight costs in connection with the return of any defective goods, but any costs relating to removal of the defective or nonconforming goods or installation of replacement goods shall be Buyer's responsibility. SELLER'S WARRANTY DOES NOT APPLY WHEN ANY PHYSICAL OR CHEMICAL CHANGE IN THE FORM OF THE PRODUCT IS MADE BY BUYER. THE FOREGOING EXPRESS WARRANTY AND REMEDY ARE EXCLUSIVE AND ARE IN LIEU OF ALL OTHER WARRANTIES AND REMEDIES; ANY IMPLIED WARRANTY AS TO QUALITY, FITNESS FOR PURPOSE, OR MERCHANTABILITY IS HEREBY SPECIFICALLY DISCLAIMED AND EXCLUDED BY SELLER. This warranty is void if seller is not notified in writing of any rejection of the goods within ninety (90) days after receipt of the goods by buyer.

Seller shall not be liable under any circumstances for incidental, special or consequential damages arising in whole or in part from any breach by Seller, AND SUCH INCIDENTAL, SPECIAL, OR CONSEQUENTIAL DAMAGES ARE HEREBY EXPRESSLY EXCLUDED.

Our policy is one of continuous development. Specifications shown in this document may be subject to changes introduced after publication.

NOTE: The properties, strength, dimensions, installed characteristics and all other information in these materials are for guidance only to aid in the correct selection of the products described herein and is not intended or implied as part of the above warranty. All applications should be evaluated for functional stability and available samples of the described parts can be requested for installed tests, suitability and evaluations.

For more information please contact our Technical Services Department at tel. 714-850-6022

USATCO U.S. Air Tool Company, Inc.

Info@usatco.com

Eastern Division60 Fleetwood Ct., Ronkonkoma, NY 11779-6907 tel: (631) 471-3300 fax: (631) 471-3308

Western Division1219 W. Mahalo Place, Rancho Dominguez, CA 90220-5446 tel: (310) 632-5400 fax: (310) 632-3900