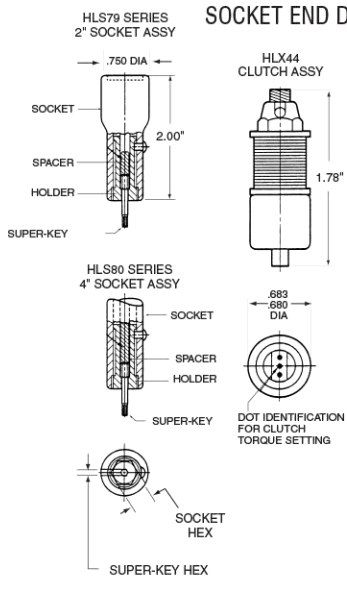
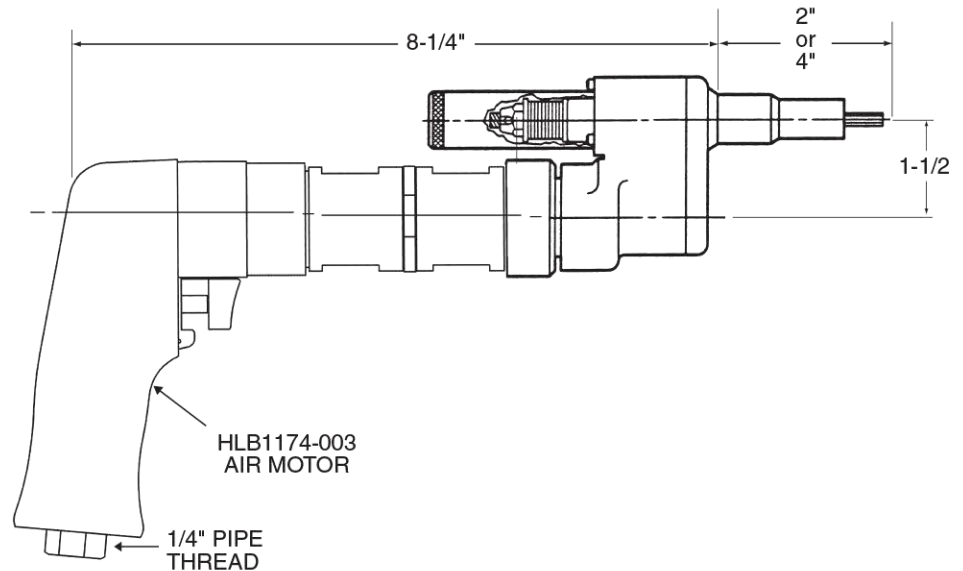


SOCKET END DETAIL



INSTALLATION TOOLING
SUPER HLA1066

**Offset Driver Assembly
with Clutch, Extended Socket
and Super-Key™ (T-Series)**



DRIVER BASIC PART NO. **HLA1066-312(X)-078 T**
 SOCKET HEX REF. TABLE 1
 SOCKET LENGTH: X = 4.0", NO LETTER = 2.0"
 SUPER-KEY HEX REF. TABLE 1.
 SUPER-KEY (T-SERIES)

TECHNICAL DATA

Operating Pressure	90 PSIA	Horsepower Rating	0.70
MAX. TORQUE RATING	300 in. lb (Motor) @90 PSIA	Air Consumption	22 scfm
Socket Speed	250 RPM	Weight	3.8 lb

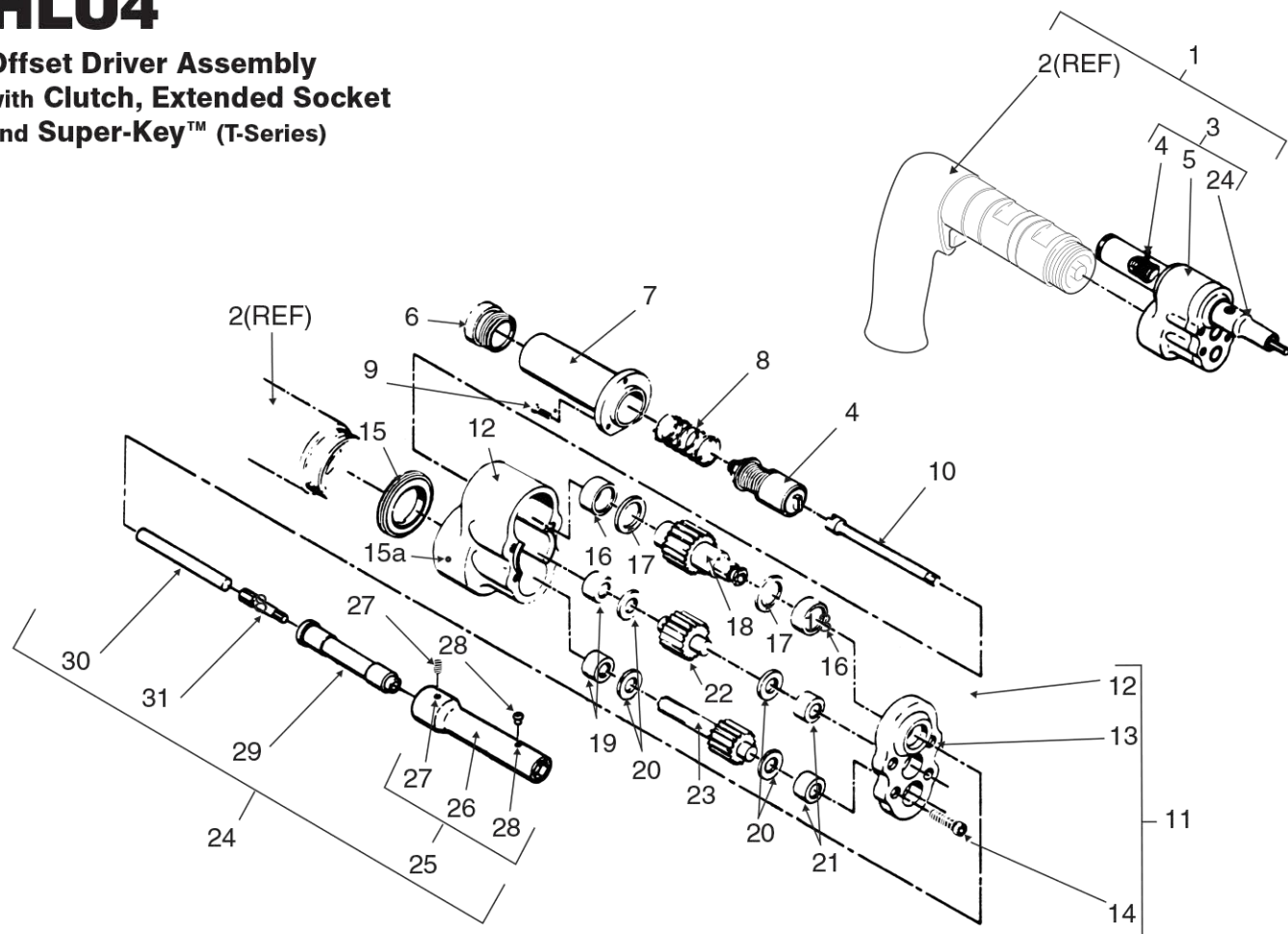
- ORDERING INFORMATION**
1. Match pin and collar hexes with Super-Key Hex and Socket Hex.
 2. See table 1 for corresponding complete driver assembly part no.

TABLE 1

COLLAR DRIVING HEX (Matches Socket Hex)	PIN RECESS HEX (Matches Super-Key Hex)	COMPLETE DRIVER ASSY. PART NO.			HLX4 CLUTCH ASSEMBLIES		
		WITH HLS79 SERIES 2" EXTENDED SOCKET	WITH HLS80 SERIES 4" EXTENDED SOCKET	B DIA.	PART NO.	DOT IDENTIFICATION	TORQUE SETTING
1/4	1/16	HLA1066-250-062T	HLA1066-250X-062T	0.468	HLXA4-5	•	8-10 IN. LB
9/32		HLA1066-281-062T	HLA1066-281X-062T	0.468			
5/16		HLA1066-312-062T	HLA1066-312X-062T	0.500			
11/32		HLA1066-343-062T	HLA1066-343X-062T	0.500			
1/4	5/64	HLA1066-250-078T	HLA1066-250X-078T	0.468	HLXA4-6	••	18-20 IN. LB
9/32		HLA1066-281-078T	HLA1066-281X-078T	0.468			
5/16		HLA1066-312-078T	HLA1066-312X-078T	0.500			
11/32		HLA1066-343-078T	HLA1066-343X-078T	0.500			
3/8	3/32	HLA1066-375-078T	HLA1066-375X-078T	0.550	HLXA4-8	•••	30-32 IN. LB
5/16		HLA1066-312-094T	HLA1066-312X-094T	0.500			
11/32		HLA1066-343-094T	HLA1066-343X-094T	0.500			
3/8		HLA1066-375-094T	HLA1066-375X-094T	0.550			
7/16		HLA1066-437-094T	HLA1066-437X-094T	0.625			

HLU4

Offset Driver Assembly with Clutch, Extended Socket and Super-Key™ (T-Series)



ITEM	PART NO.	DESCRIPTION	QTY		ITEM	PART NO.	DESCRIPTION	QTY	
			HLS79 SERIES 2" EXT. SOCKET	HLS80 SERIES 4" EXT. SOCKET				HLS79 SERIES 2" EXT. SOCKET	HLS80 SERIES 4" EXT. SOCKET
1	HLA1066-()-()T	Tool assy. (ref.)	1		18	HLB117	... Gear, socket drive	1	1
1	HLA1066-()X-()T	Tool assy. (ref.)		1	19	B55	... Bearing (Torrington)	2	2
2	HLB1174-003	. Air motor assy. (ref.)	1	1	20	$\frac{5}{16}$ ID X $\frac{3}{4}$ OD X $\frac{1}{16}$... Washer, thrust	4	4
3	HLU4-()-()T	. Driver assy.	1		21	M551	... Bearing (Torrington)	2	2
3	HLU4-()X-()T	. Driver assy.		1	22	HLB119	... Gear, idler	1	1
4	HLXA4-() see table 1	.. Clutch assy.	1	1	23	HLB120	... Gear, drive shaft	1	1
5	HLG105	.. Gear housing assy	1	1	24	HLS79-()-()T	.. Socket assy.	1	
6	HLB115	... Clutch cap	1	1	24	HLS80-()-()T	.. Socket assy.		1
7	HLB116	... Sleeve assy	1	1	25	HLS23-()	... Socket sub-assy.	1	
8	HLB114	... Spring	1	1	25	HLS24-()	... Socket sub-assy.		1
9	4-40 UNC x 3/8 lg	... Screw, soc hd cap	3	3	26	965050-() Socket	1	
10	HLB118	... Clutch shaft	1	1	26	965052-() Socket		1
11	HLB121	... Housing assy.	1	1	27	8-32 x 3/16 lg. Set screw, Nylok	1	1
12	Not sold separately Housing, rear	1	1	28	6-32 x 5/32 lg. Screw, btn hd cap	1	1
13	Not sold separately Housing, front	1	1	29	HLB1653-()	... Holder	1	
14	6-32 UNC x 5/8 lg Screw, soc hd	4	4	29	HLB1638-()	... Holder		1
15	HLB112*	... Nut, jam	1	1	30	HLB1616H	... Spacer	1	
15a	8-32 x 3/16 long*	... Set screw, nylon tip	2	2	30	HLB1616J	... Spacer		1
16	B85	... Bearing (Torrington)	2	2	31	HLT140K-()	... Super-Key	1	1
17	$\frac{1}{2}$ ID X $\frac{3}{4}$ OD X $\frac{1}{16}$... Washer, thrust	2	2					

USATCO U.S. Air Tool Company, Inc.

Info@usatco.com

Eastern Division60 Fleetwood Ct., Ronkonkoma, NY 11779-6907 tel: (631) 471-3300 fax: (631) 471-3308

Western Division1219 W. Mahalo Place, Rancho Dominguez, CA 90220-5446 tel: (310) 632-5400 fax: (310) 632-3900