

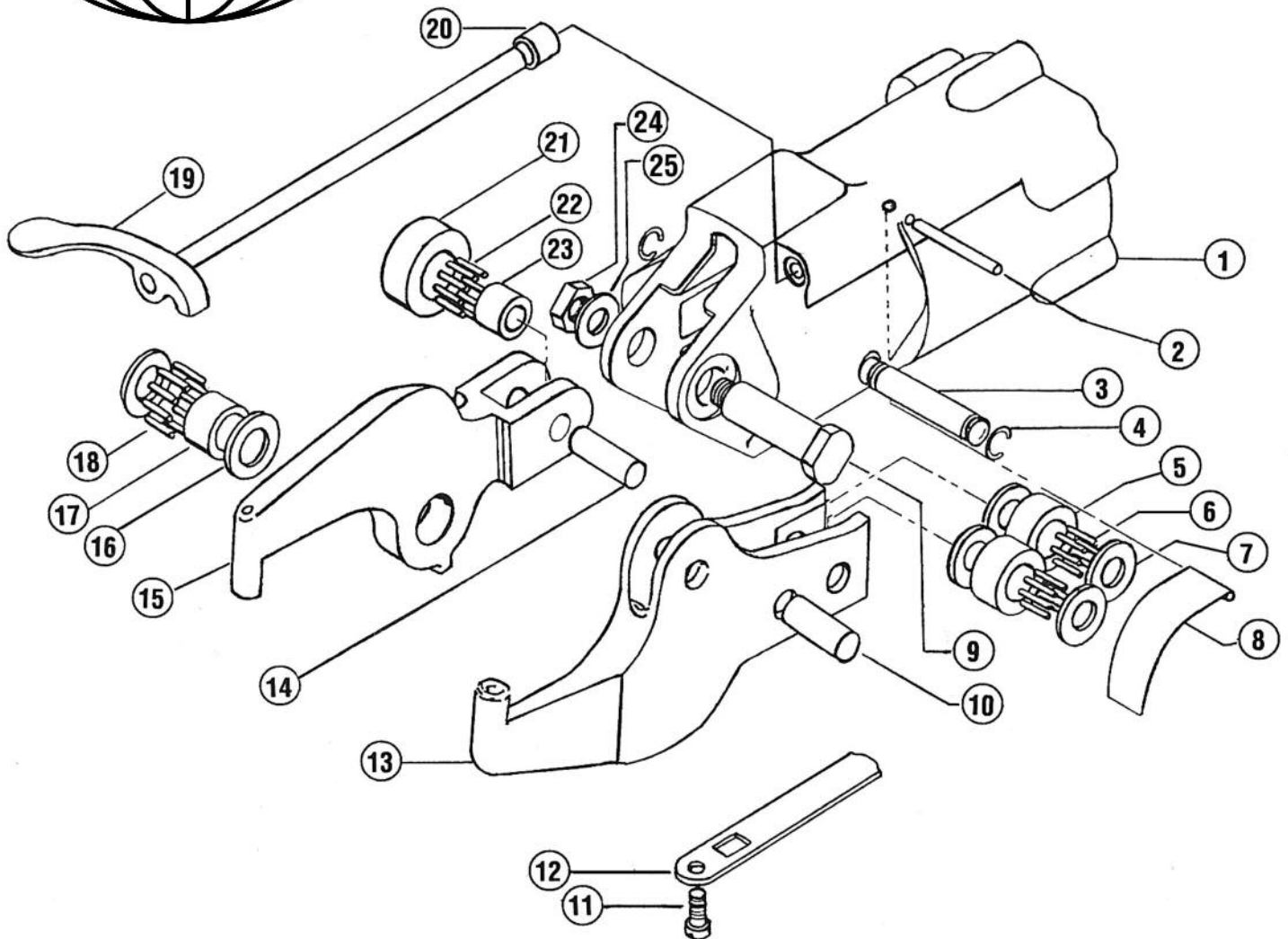
34-214A Alligator Yoke Compression Riveters

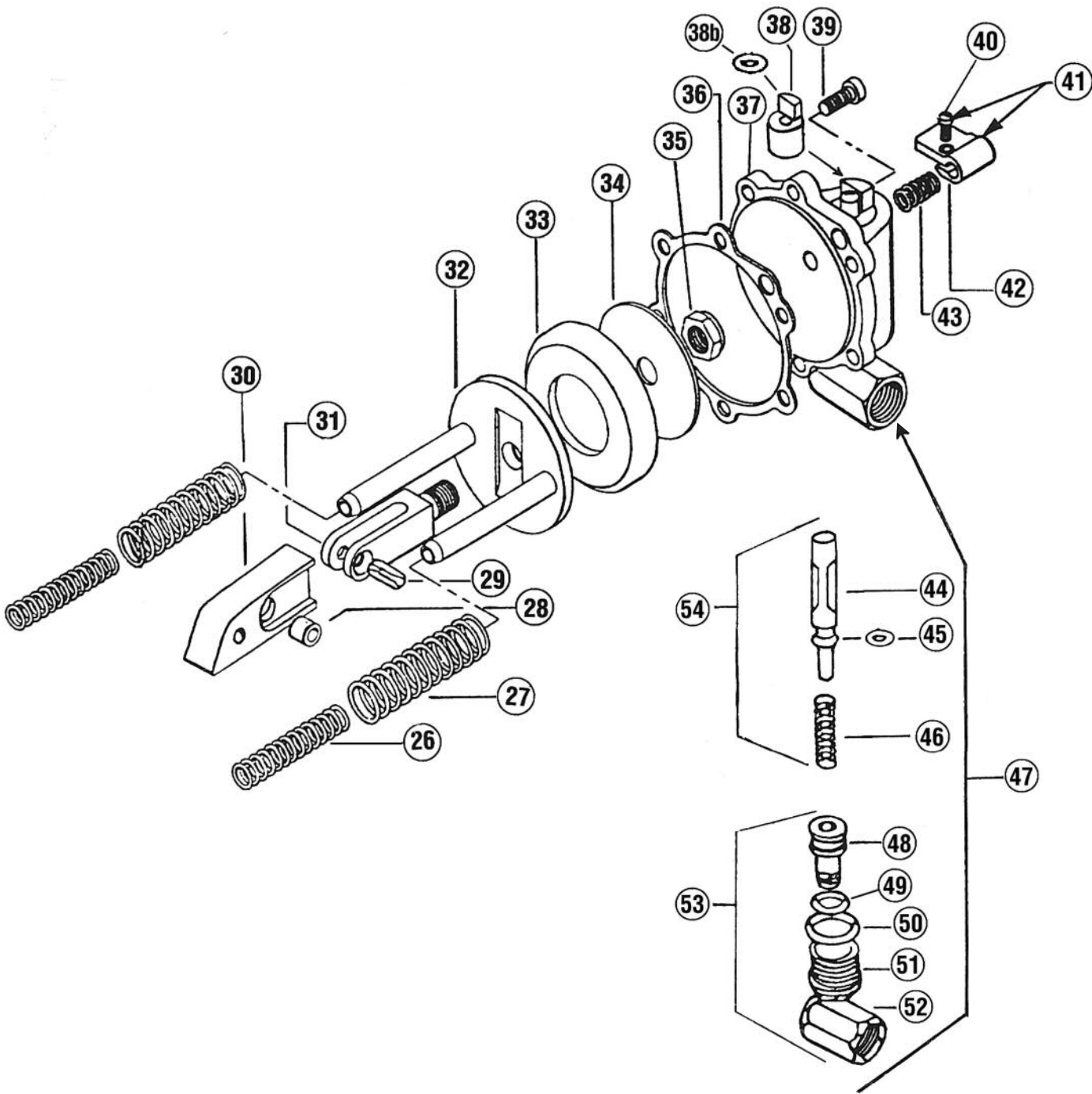
All parts shown on this list are interchangeable with like items offered by Chicago Pneumatic, Deutsch APT, and several other makes.

Model Number	Capacity Cold Rivet Diameter		Standard Yoke Dimensions		Jaw Part Number		Max. Force @ 90 PSI	Moving Jaw		Net Weight	Overall Length	Air Inlet Thread Size	Gap	Set Hole Size
	Alum.	Steel	Reach	Closed Height	Stationary Jaw	Moving Jaw		Max. Travel	Stroke @ Max. Force					
34-214A-1-1/2	1/8"	3/32"	1-1/2"	7/8"	38-457	38-458	3000 lbs	5/8"	Final 1/16"	3.75 lbs	9-3/16"	1/4"	0.89"	3/16"
34-214A-2-1/4	1/8"	3/32"	2-1/4"	7/8"	38-1213	38-1214	2200 lbs	7/8"	Final 3/32"	4.25 lbs	10"	1/4"	0.89"	3/16"
34-214A-3	3/32"	1/16"	3"	7/8"	38-1215	38-1216	1800 lbs	1-1/4"	Final 1/8"	4.50 lbs	10-3/4"	1/4"	0.89"	3/16"



Note: Our well equipped tool repair shop can repair or rebuild any currently used rivet squeezer. Let our experience and knowhow save you money and lost time. **Free estimates!**





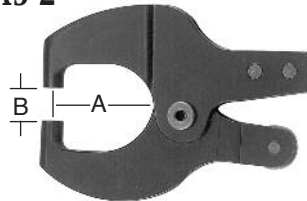
Alligator Yokes for 34-214A Rivet Squeezers

64-A5-1



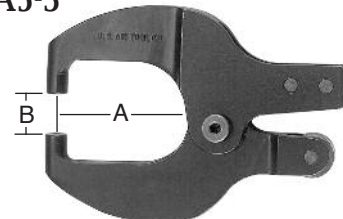
Reach 'A': 1-1/2"
Gap 'B': 0.89"

64-A5-2



Reach 'A': 2-1/4"
Gap 'B': 0.89"

64-A5-3



Reach 'A': 3"
Gap 'B': 0.89"

USATCO\U.S. Air Tool Company, Inc.

Eastern Division60 Fleetwood Ct., Ronkonkoma, NY 11779-6907 tel: (631) 471-3300 fax: (631) 471-3308

Western Division1219 W. Mahalo Place, Rancho Dominguez, CA 90220-5446 tel: (310) 632-5400 fax: (310) 632-3900

Index Number	Part Number	Part Description	Amount Required
1	38-588	Cylinder	1
2	38-413	Roll Pin	1
3	38-471	Roller Bearing Shaft	1
4	38-551	Retaining Ring	2
5	38-469	Roller Bearing	2
6	38-626	Needle Bearing (2 Sets)	20 / 20
7	38-472	Washer	4
8	38-455	Return Spring	1
9	38-482	Bolt	1
10	38-470	Roller Bearing Shaft	1
11	38-188	Screw	1
12	38-473	Roller Bearing Guard	1
13		Stationary Alligator Jaw (see chart for sizes)	1
14	38-550	Bearing Shaft	1
15		Moving Alligator Jaw (see chart for sizes)	1
16	38-481	Washer	2
17	38-480	Inner Bearing Roller	1
18	38-626	Needle Bearing	35
19	38-795	Throttle Valve Lever	1
20	38-572	Spacer	1
21	38-478	Outer Bearing Roller	1
22	38-626	Needle Bearing	29
23	38-479	Inner Bearing Roller	1
24	38-184	Hex Nut	1
25	38-177	Washer	1
26	38-467	Inner Spring	2
27	38-468	Outer Spring	2
28	38-465	Spacer	1
29	38-466	Roll Pin	1
30	38-464	Wedge	1
31	38-462	Piston Shaft Fork	1
32	38-438	Piston	1
33	38-460	Cup Leather	1
34	38-461	Plate	1
35	38-463	Locknut	1
36	38-483	Gasket	1
37	38-38B	Cylinder Head (includes index numbers 38 & 38b)	1
38	38-6309	Bushing	1
38b	38-5183	"O" Ring (-010)	1
39	38-410	Screw	6
40	38-628	Screw	1
41	38-944	Throttle Lever Assembly (includes index numbers 40 & 42)	1
42	38-901	Throttle Lever	1
43	38-200	Spring	1
44	38-6298	Throttle Valve (standard)	1
45	38-566	"O" Ring (-008)	1
46	38-3577	Spring	1
47	38-943	Cylinder Head Assembly Complete (includes index numbers 37, 53 & 54)	1
48	38-1585	Air Inlet Swivel	1
49	38-491	"O" Ring (-012)	1
50	38-488	"O" Ring (-014)	1
51	38-489	Nut	1
52	38-522	Elbow (90° - 1/4" pipe)	1
53	38-2436	Air Inlet Swivel Complete (includes index numbers 48, 49, 50, 51 & 52)	1
54	38-6346	Valve Assembly (includes index numbers 44, 45 & 46)	1



USATCO\U.S. Air Tool Company, Inc.

Eastern Division60 Fleetwood Ct., Ronkonkoma, NY 11779-6907 tel: (631) 471-3300 fax: (631) 471-3308

Western Division1219 W. Mahalo Place, Rancho Dominguez, CA 90220-5446 tel: (310) 632-5400 fax: (310) 632-3900

34-214A

Alligator Yoke Compression Riveter Parts List



- CE approved and certified.
- Quiet, easy operation.
- Clamping force exceeds federal specs.
- New, larger capacity high-force models now available, please inquire.
- Good balance, easy handling.
- Safety approved throttle lever.
- 90° swiveling air inlet.
- Tool steel roller bearings and shafts.
- Operates with little or no oil.



Model No. **34-214A-2-1/4** Shown

Note: Operate this tool at 90 PSI (6.2 bar).

Toll Free Nationwide & Canada: **800-645-8180**

USATCO\U.S. AIR TOOL COMPANY, INC. www.USATCO.com NEW YORK • CALIFORNIA

Rev0515